

HCG/B

ELECTRONIC EMBROIDERY MACHINE

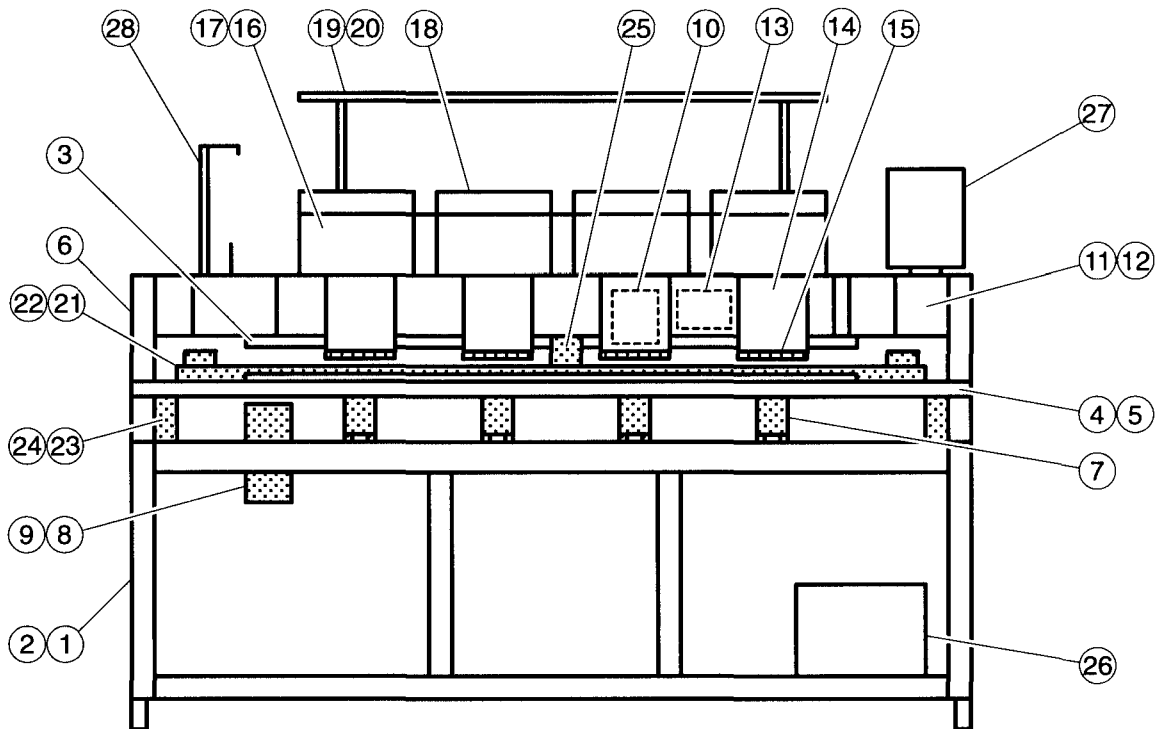
PARTS LIST

パーツリスト



2003.05.12

INDEX

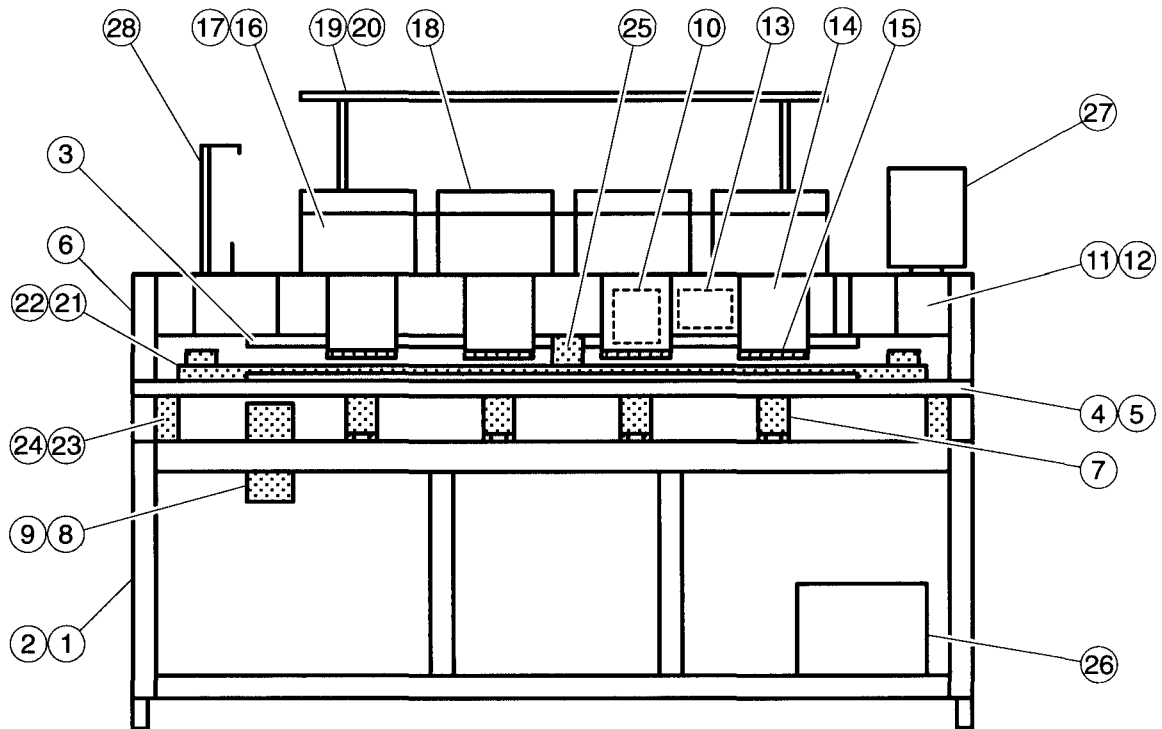


| | |
|---|-----|
| FRAME 1 | 1a |
| FRAME 2 | 1b |
| FRAME 3 | 1c |
| FRAME (PARTS BY MODEL) | 2a |
| ILLUMINATOR | 3a |
| TABLE 1 | 4a |
| TABLE 2 | 4b |
| TABLE (PARTS BY MODEL) | 5a |
| TRANSMISSION UNIT 1 | 6a |
| TRANSMISSION UNIT 2 | 6b |
| BED 1 | 7a |
| BED 2 | 7b |
| BED 3 | 7c |
| THREAD CUTTING DRIVER 1 | 8a |
| THREAD CUTTING DRIVER 2 | 8b |
| THREAD CUTTING DRIVER (PARTS BY MODEL) | 9a |
| FIXED HEAD 1 | 10a |
| FIXED HEAD 2 | 10b |
| NEEDLE BAR CHANGE UNIT | 11a |
| NEEDLE BAR CHANGE UNIT (PARTS BY MODEL) | 12a |
| TIMING DETECTING UNIT | 13a |
| MOVING HEAD 1 | 14a |
| MOVING HEAD 2 | 14b |
| THREAD CATCHER | 15a |

※ Specifications are subject to change without notice.

※ When you place parts orders, please state machine model (example : HCG-1502B-45TTC), machine number and if machine is with option or not.

INDEX



| | |
|---|-----|
| THREAD TENSION UNIT 1 | 16a |
| THREAD TENSION UNIT 2 | 16b |
| THREAD TENSION UNIT 1(PARTS BY MODEL) | 17a |
| THREAD TENSION UNIT 2(PARTS BY MODEL) | 17b |
| ROTARY TYPE THREAD BREAK DETECTING DEVICE | 18a |
| THREAD STAND 1 | 19a |
| THREAD STAND 2 | 19b |
| THREAD STAND (PARTS BY MODEL) | 20a |
| X CARRIAGE 1 | 21a |
| X CARRIAGE 2 | 21b |
| X CARRIAGE (PARTS BY MODEL) | 22a |
| Y CARRIAGE A | 23a |
| Y CARRIAGE A(PARTS BY MODEL) | 24a |
| Y CARRIAGE B | 25a |
| MAIN UNIT | 26a |
| CONTROL BOX | 27a |
| BOBBIN WINDER | 28a |
| CAP FRAME (DRIVE FRAME) (OPTION) | 29a |
| CAP FRAME (HOLD FRAME) (OPTION) | 29b |
| CAP FRAME (CAP STRETCHER) (OPTION) | 29c |

※ Specifications are subject to change without notice.

※ When you place parts orders, please state machine model (example : HCG-1502B-45TTC), machine number and if machine is with option or not.

EXPLANATION OF LIST 1

| 組 Ass'y | 指図 El't | 部品番号 PARTS No. | PARTS NAMES |
|------------|------------|-------------------|--------------------------------|
| | 9 | HMF17870 | Adjusting plate |
| 11* | 10 | M0416186 | Thread check spring |
| | 11 | HMF17840 | Thread tension ass'y |
| | 12 | HMF17860 | Thread tension lid |
| | 31 | HCG08170 | Roller pin guide |
| | 32 | →10b | Jump solenoid ass'y (by model) |
| | | | |
| ① | ② | ③ | ④ |

- ① This element number here is an assembly part number.
It indicates that the part shown here is a component of an assembly part.
- ② It is the element number of this parts in illustrations.
- ③ It is parts number.
- ④ This parts is entered to other page of that mark "→" shows.

EXPLANATION OF LIST 2 (PARTS BY MODEL)

In this parts list, we have parts followed by description of "(Parts by model)".
 These parts are carried in pages where "(Parts by model)" after unit name is described.

| 指図 / E'l't | | 45 |
|-------------|-----------------|----------|
| PARTS NAMES | | Beam |
| 機種 MODEL | L 8 2 0 | HMF00850 |
| | L 7 2 0 A | HMF00890 |
| | L 8 1 8 | HMF00900 |
| | L 8 1 6 | HMF00910 |
| | L 8 1 4 | HMF00920 |
| | L 1 0 1 2 | HMF00820 |
| | L 8 1 2 | HMF00930 |
| | | |
| | W 1 0 1 5 - 7 8 | HMF01050 |
| | 7 2 2 | HMF01020 |

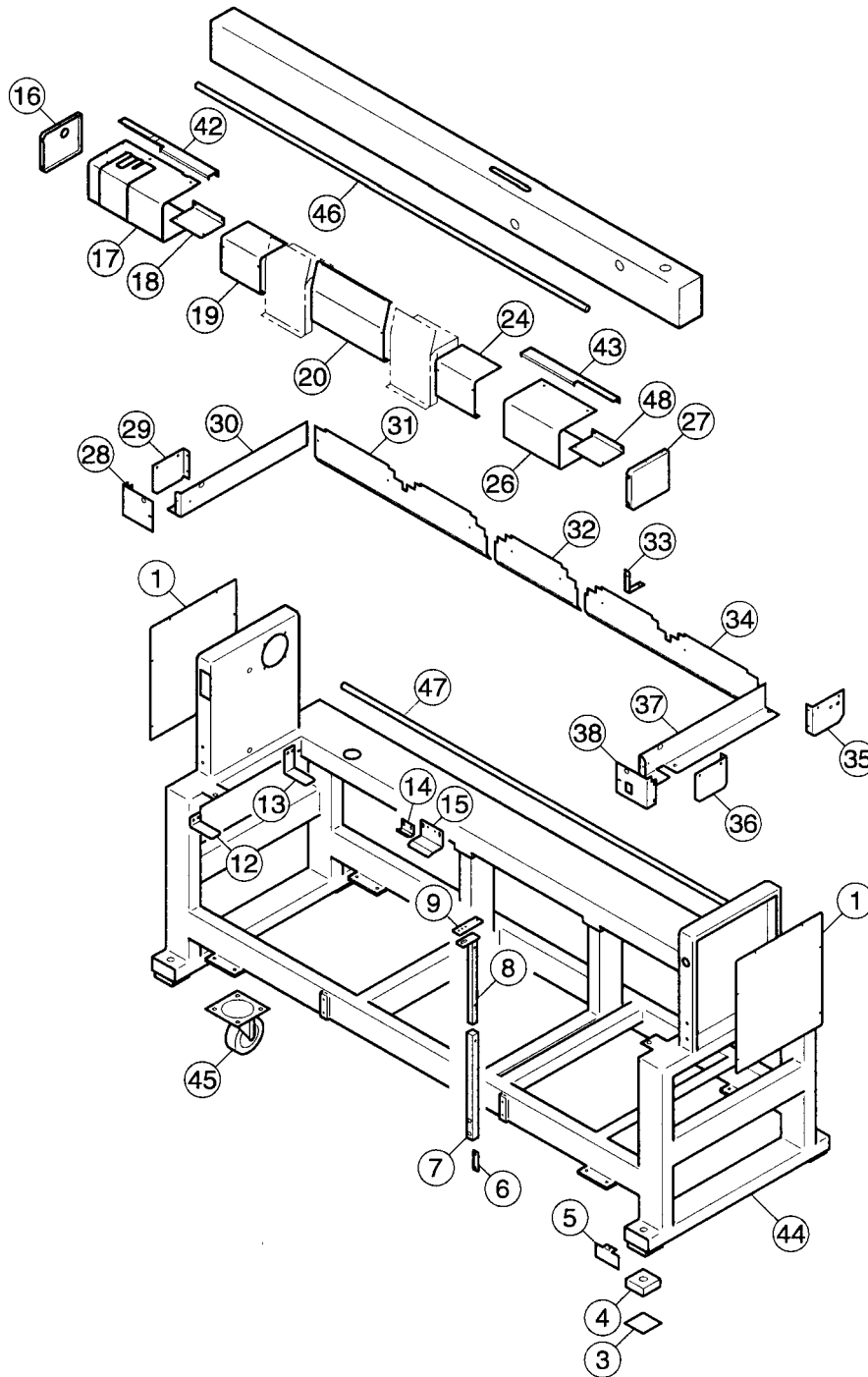
- ① It is the element number of this parts in illustrations.
- ② This column shows machine model.
- ③ This column shows parts number related to machine model.
 (Example. Parts number of "Beam" for L820 → HMF00850)

EXPLANATION OF LIST 3 (UNIT BY MODEL)

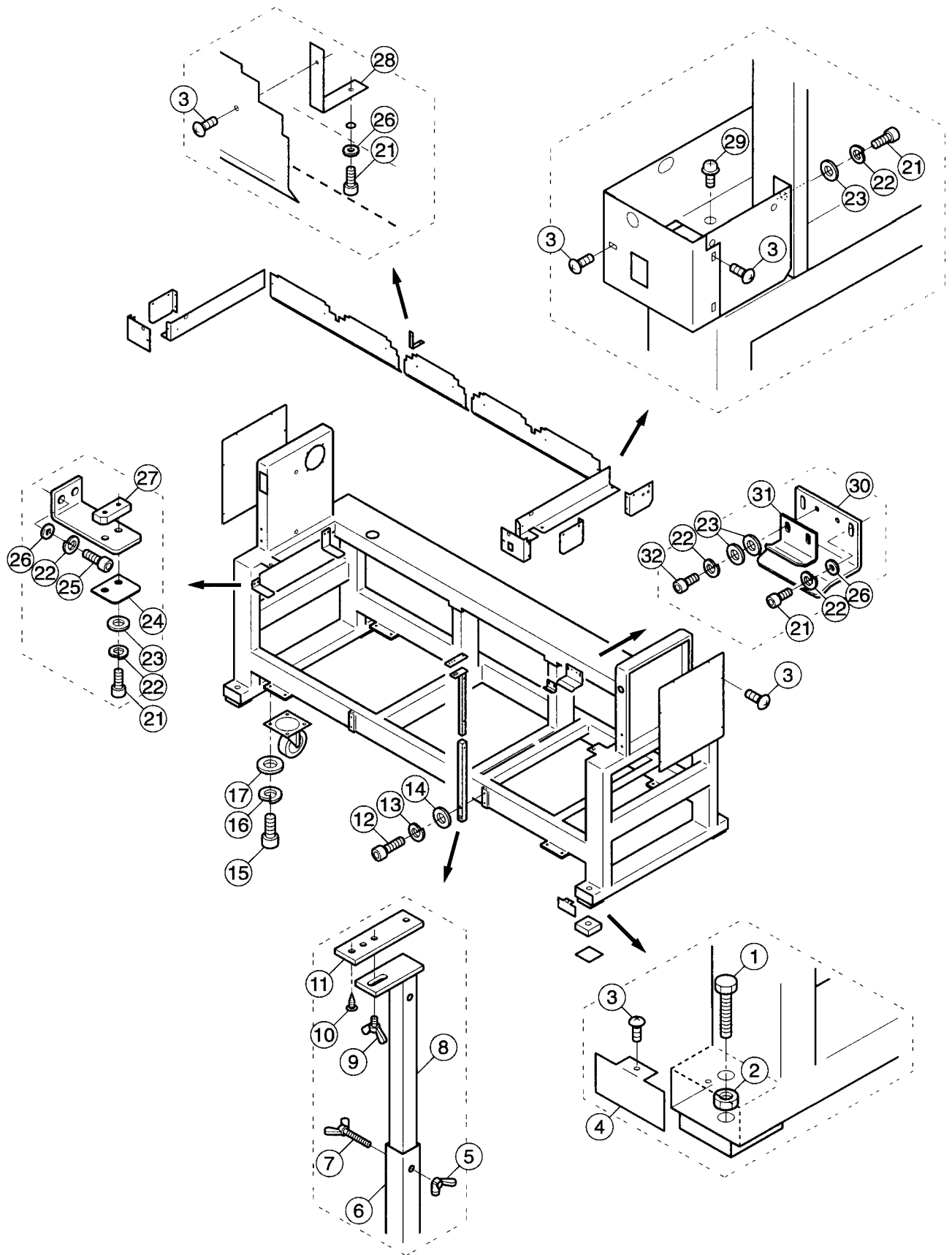
Several types of unit are available by difference of component parts and function.
 Unit is different by machine model.
 You will see relation between machine model and type of unit by description of "(unit by model)" after unit name in index.
 When you need some type of unit, check type of unit for your machine and refer to page for unit and type.

| 指図 / E'l't | | | |
|-------------|-----------|----------------------|-------------------|
| UNIT NAMES | | Thread tension cover | Thread stand base |
| 機種 MODEL | L 8 2 0 | A | A |
| | L 7 2 0 A | A | A |
| | L 8 1 8 | A | A |
| | L 8 1 6 | A | A |
| | L 8 1 4 | A | A |
| | L 1 0 1 2 | C | C |
| | | | |
| | W 1 2 1 5 | C | E |
| | W 1 0 1 5 | C | C |
| | 7 2 2 | A | A |

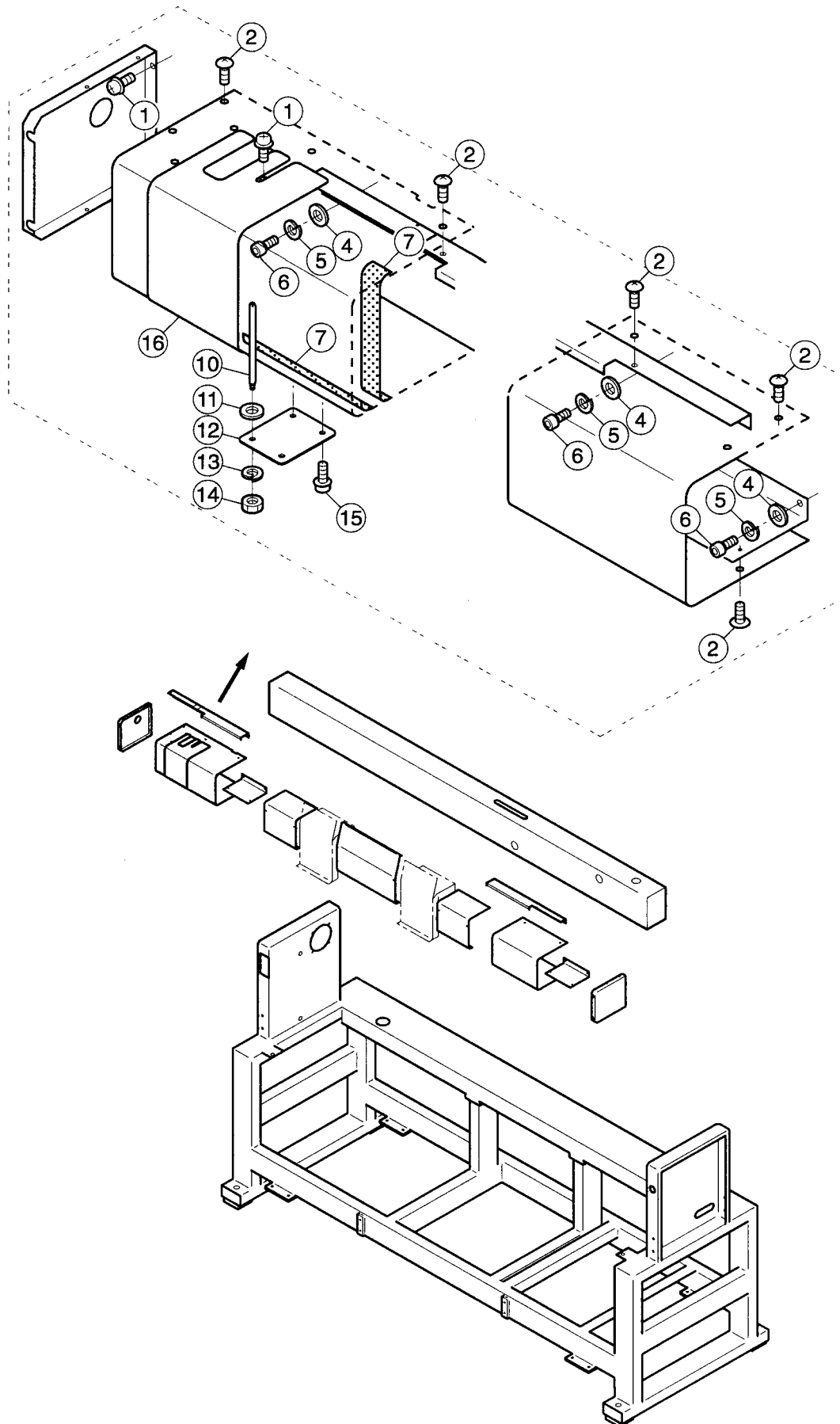
- ① This column shows machine model.
- ② This column shows type of unit related to machine model.



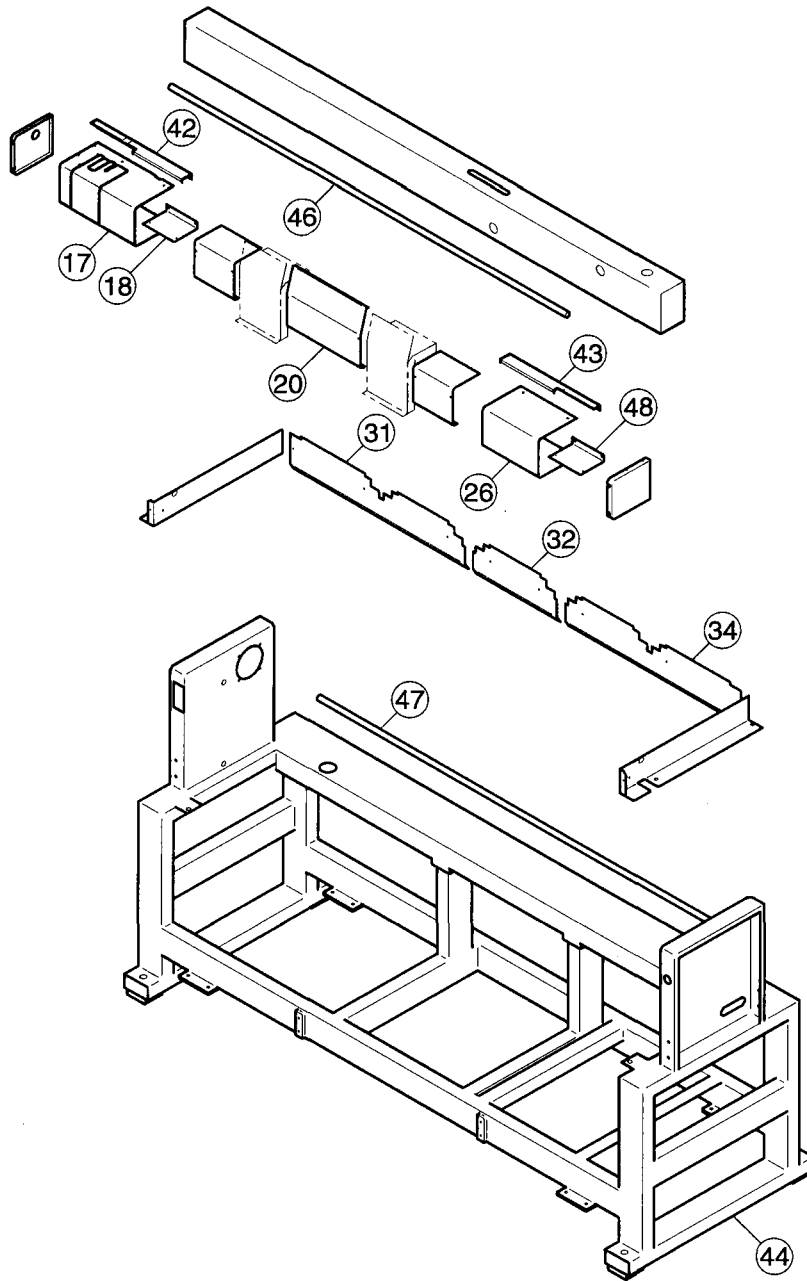
| 組 Ass'y | 指図 Elt | 部品番号 PARTS No. | PARTS NAMES | CGB1914 NOTE / 備考 |
|------------|-----------|-------------------|---|----------------------|
| | 1 | HCG02460 | Cover | |
| | 3 | HCG00330 | Rubber mount | |
| | 4 | HCG00321 | Mount | |
| | 5 | HCG00310 | Pipe cover | |
| | 6 | HCG32030 | Plate washer | |
| | 7 | HCG32021 | Table stay (lower) | |
| | 8 | HCG32010 | Table stay (upper) | |
| | 9 | HCG32000 | Plate | |
| | 12 | HCG32071 | Table bracket B (side) | |
| | 13 | HCG32061 | Table bracket A (side) | |
| | 14 | HCG32051 | Table bracket B (rear) | |
| | 15 | HCG32041 | Table bracket A (rear) | |
| | 16 | HCG10290 | Side cover (left) | |
| | 17 | →2a | Upper shaft cover (left) (by model) | |
| | 18 | →2a | Cover bracket (lower) (by model) | |
| | 19 | HCG10312 | Head cover (left) | |
| | 20 | →2a | Head cover (middle) (by model) | |
| | 24 | HCG10280 | Head cover (right) | |
| | 26 | →2a | Cover for needle bar change unit (by model) | |
| | 27 | HCG10240 | Side cover (right) | |
| | 28 | HCG00360 | Table support cover B | |
| | 29 | HCG30651 | Table support B (side) | |
| | 30 | HCG00382 | Table support cover D | |
| | 31 | →2a | Table support cover (left) (by model) | |
| | 32 | →2a | Table support cover (center) (by model) | |
| | 33 | HCG00390 | Cover bracket | |
| | 34 | →2a | Table support cover (right) (by model) | |
| | 35 | HCG30661 | Table support C (side) | |
| | 36 | HCG30641 | Table support A (side) | |
| | 37 | HCG00372 | Table support cover C | |
| | 38 | HCG00350 | Table support cover A | |
| | 42 | →2a | Cover bracket C (upper) (by model) | |
| | 42 | →2a | Cover bracket D (upper) (by model) | |
| | 43 | →2a | Cover bracket A (upper) (by model) | |
| | 43 | →2a | Cover bracket B (upper) (by model) | |
| | 44 | →2a | Frame (by model) | |
| | 45 | MPZ02300 | Caster | |
| | 46 | →2a | Upper shaft (by model) | |
| | 47 | →2a | Lower shaft (by model) | |
| | 48 | →2a | Cover bracket (lower) (by model) | |



| 組 Ass'y | 指図 Elt | 部品番号 PARTS No. | PARTS NAMES | CGB1131 NOTE / 備考 |
|------------|-----------|-------------------|--|----------------------|
| | 1 | SHBA16100 | Hexagon head bolt (M16x100) | |
| | 2 | NHBA16000 | Hexagon nut (M16) | |
| | 3 | STAB04006 | Truss head screw (cross recessed, M4x6) | |
| | 4 | HCG00310 | Pipe cover | |
| | 5 | NWAB06000 | Wing nut (M6) | |
| | 6 | HCG32021 | Table stay (lower) | |
| | 7 | SWAB06035 | Wing bolt (M6x35) | |
| | 8 | HCG32010 | Table stay (upper) | |
| | 9 | SWAB06010 | Wing bolt (M6x10) | |
| | 10 | SLAB5A020 | Oval head wood screw (cross recessed head, 5.1x20) | |
| | 11 | HCG32000 | Plate | |
| | 12 | SCAA06025 | Hexagon socket head cap screw (M6x25) | |
| | 13 | WSAA06000 | Spring lock washer (M6) | |
| | 14 | WPAA06000 | Plain washer (M6) | |
| | 15 | SCAA10020 | Hexagon socket head cap screw (M10x20) | |
| | 16 | WSAA10000 | Spring lock washer (M10) | |
| | 17 | WPAA10000 | Plain washer (M10) | |
| | 21 | SCAA05015 | Hexagon socket head cap screw (M5x15) | |
| | 22 | WSAA05000 | Spring lock washer (M5) | |
| | 23 | WPAA05000 | Plain washer (M5) | |
| | 24 | HCG32090 | Spacer | |
| | 25 | SCAA05020 | Hexagon socket head cap screw (M5x20) | |
| | 26 | M0408160 | Washer | |
| | 27 | HCG32080 | Table guide | |
| | 28 | HCG00390 | Cover bracket | |
| | 29 | SPDD04008 | Pan head screw (cross recessed, M4x8) | |
| | 30 | HCG32041 | Table bracket A (rear) | |
| | 31 | HCG32051 | Table bracket B (rear) | |
| | 32 | SCAA05010 | Hexagon socket head cap screw (M5x10) | |



| 組 Ass'y | 指図 Elt | 部品番号 PARTS No. | PARTS NAMES | CGB9827 NOTE / 備考 |
|------------|-----------|-------------------|--|----------------------|
| | 1 | SPDD04008 | Pan head screw (cross recessed, M4x8) | |
| | 2 | STAB04006 | Truss head screw (cross recessed, M4x6) | |
| | 4 | WPAA05000 | Plain washer (M5) | |
| | 5 | WSAA05000 | Spring lock washer (M5) | |
| | 6 | SCAA05010 | Hexagon socket head cap screw (M5x10) | |
| | 7 | HMF10330 | Protection tape | |
| | 10 | M0402052 | Spool pin | |
| | 11 | WPAD04000 | Plain washer (M4) | |
| | 12 | HCG10320 | Spool pin support | |
| | 13 | WSAD04000 | Spring lock washer (M4) | |
| | 14 | NHAD04000 | Hexagon nut (M4) | |
| | 15 | SCBD04008 | Hexagon socket head cap screw with flange (M4x8) | |
| | 16 | HCG10440 | Cover | |

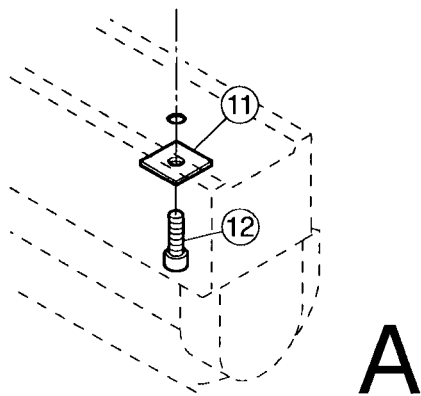
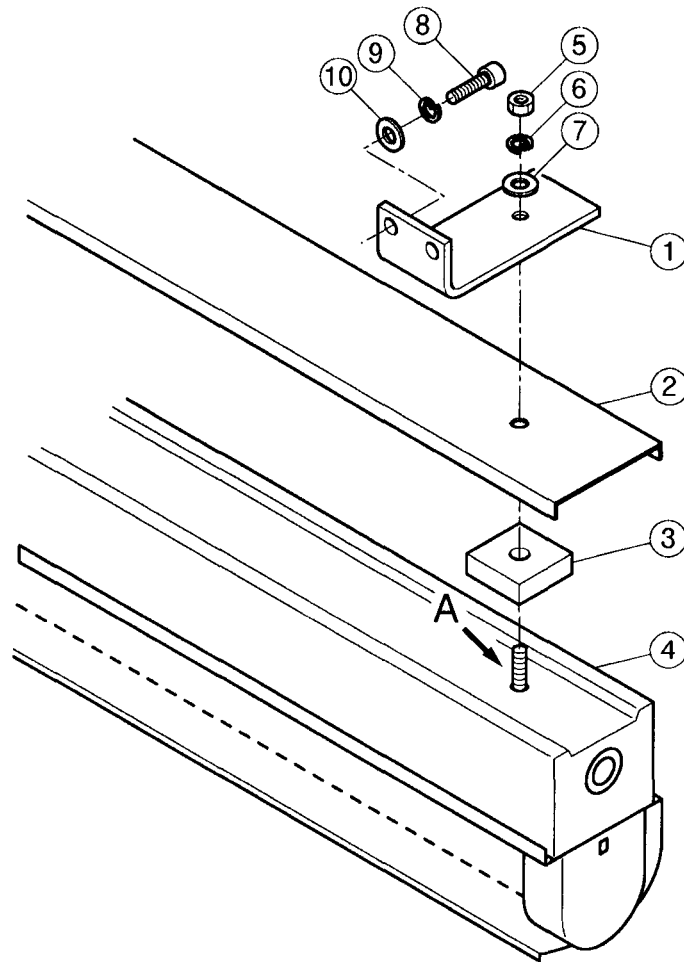


| 指図 / EIt | | 1 7 | 1 8, 4 8 | 2 0 | 2 6 |
|-------------|-------------|--------------------------|-----------------------|---------------------|----------|
| PARTS NAMES | | Upper shaft cover (left) | Cover bracket (lower) | Head cover (middle) | Cover |
| 機種 MODEL | 1 2 0 6 B | HCG10450 | HCG10260 | HCG13150 | HCG10270 |
| | 1 0 0 6 B | HCG10450 | HCG10260 | HCG13090 | HCG10270 |
| | X 1 2 0 4 B | HCG10460 | HCG10340 | HCG13160 | HCG10350 |
| | X 1 0 0 4 B | HCG10460 | HCG10340 | HCG13040 | HCG10350 |
| | 1 2 0 4 B | HCG10450 | HCG10260 | HCG13150 | HCG10270 |
| | 1 0 0 4 B | HCG10450 | HCG10260 | HCG13090 | HCG10270 |
| | 1 2 0 2 B | HCG10460 | HCG10340 | HCG13160 | HCG10350 |
| | 1 0 0 2 B | HCG10460 | HCG10340 | HCG13040 | HCG10350 |

| 指図 / EIt | | 3 1 | 3 2 | 3 4 | |
|-------------|-------------|----------------------------|------------------------------|-----------------------------|--|
| PARTS NAMES | | Table support cover (left) | Table support cover (center) | Table support cover (right) | |
| 機種 MODEL | 1 2 0 6 B | HCG00420 | HCG00410 | HCG00400 | |
| | 1 0 0 6 B | HCG00420 | HCG00410 | HCG00400 | |
| | X 1 2 0 4 B | HCG00470 | HCG00460 | HCG00450 | |
| | X 1 0 0 4 B | HCG00470 | HCG00460 | HCG00450 | |
| | 1 2 0 4 B | HCG00420 | HCG00480 | HCG00400 | |
| | 1 0 0 4 B | HCG00420 | HCG00480 | HCG00400 | |
| | 1 2 0 2 B | HCG00520 | HCG00460 | HCG00510 | |
| | 1 0 0 2 B | HCG00520 | HCG00460 | HCG00510 | |

| 指図 / EIt | | 4 2 | 4 2 | 4 3 | 4 3 |
|-------------|-------------|-------------------------|-------------------------|-------------------------|-------------------------|
| PARTS NAMES | | Cover bracket (upper) C | Cover bracket (upper) D | Cover bracket (upper) A | Cover bracket (upper) B |
| 機種 MODEL | 1 2 0 6 B | HCG10420 | - | HCG10400 | - |
| | 1 0 0 6 B | HCG10420 | - | HCG10400 | - |
| | X 1 2 0 4 B | - | HCG10430 | - | HCG10410 |
| | X 1 0 0 4 B | - | HCG10430 | - | HCG10410 |
| | 1 2 0 4 B | HCG10420 | - | HCG10400 | - |
| | 1 0 0 4 B | HCG10420 | - | HCG10400 | - |
| | 1 2 0 2 B | - | HCG10430 | - | HCG10410 |
| | 1 0 0 2 B | - | HCG10430 | - | HCG10410 |

| 指図 / EIt | | 4 4 | 4 6 | 4 7 | |
|-------------|-------------|----------|-------------|-------------|--|
| PARTS NAMES | | Frame | Upper shaft | Lower shaft | |
| 機種 MODEL | 1 2 0 6 B | HCG00306 | HCG02580 | HCG02600 | |
| | 1 0 0 6 B | HCG00306 | HCG02580 | HCG02600 | |
| | X 1 2 0 4 B | HCG00445 | HCG02590 | HCG02610 | |
| | X 1 0 0 4 B | HCG00445 | HCG02590 | HCG02610 | |
| | 1 2 0 4 B | HCG00493 | HCG02510 | HCG02520 | |
| | 1 0 0 4 B | HCG00493 | HCG02510 | HCG02520 | |
| | 1 2 0 2 B | HCG00503 | HCG02530 | HCG02540 | |
| | 1 0 0 2 B | HCG00503 | HCG02530 | HCG02540 | |



ILLUMINATOR

3a-1

| 組 | 指図 | 部品番号 | | CGB0926 |
|-------|------|-----------|---------------------------------------|-----------|
| Ass'y | El't | PARTS No. | PARTS NAMES | NOTE / 備考 |
| | 1 | HMF00192 | Illuminator bracket | |
| | 2 | HCG00430 | Illuminator cover | |
| | 3 | HMF00320 | Vibration insulator | |
| | 4 | EPP00460 | Illuminator | |
| | 5 | NHAA06000 | Hexagon nut (M6) | |
| | 6 | WSAA06000 | Spring lock washer (M6) | |
| | 7 | WPAA06000 | Plain washer (M6) | |
| | 8 | SCAA05015 | Hexagon socket head cap screw (M5x15) | |
| | 9 | WSAA05000 | Spring lock washer (M5) | |
| | 10 | WPAA05000 | Plain washer (M5) | |
| | 11 | WKAB06000 | Square washer(M6) | |
| | 12 | SCAA06022 | Hexagon socket head cap screw (M6x22) | |

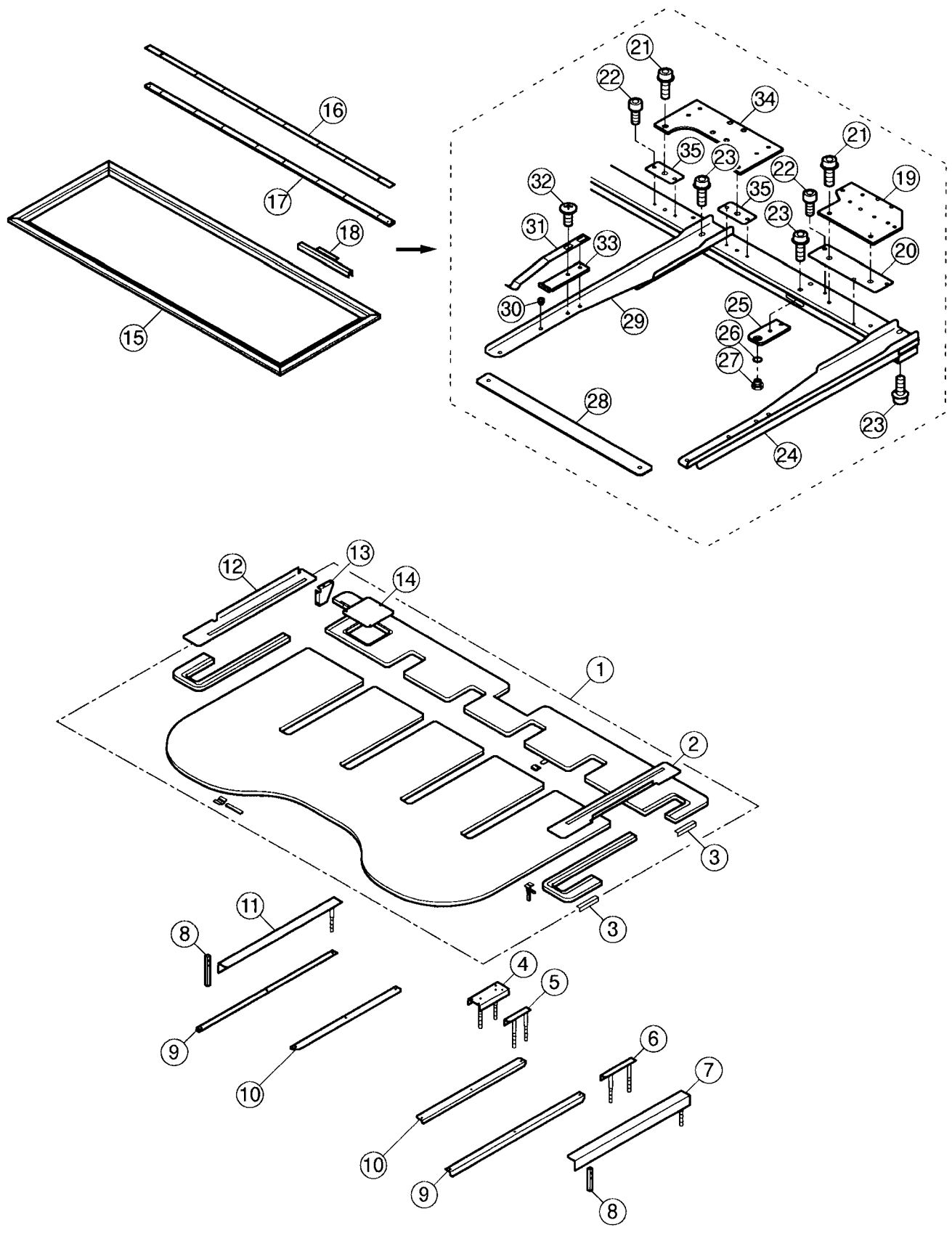


TABLE 1

4a-1

| 組 Ass'y | 指図 El't | 部品番号 PARTS No. | PARTS NAMES | CGB1131 NOTE / 備考 |
|------------|------------|-------------------|--|----------------------|
| | 1 | →5a | Table set (by model) | |
| | 2 | HCG30681 | Carriage cover (right) | |
| | 3 | →4b | Table support bracket A | |
| | 4 | HCG30610 | Table support F | |
| | 5 | HCG30601 | Table support E | |
| | 6 | HCG30121 | Table support D | |
| | 7 | HCG30580 | Table support (right) | |
| | 8 | →4b | Table support stud | |
| | 9 | HCG32110 | Reinforcement plate | |
| | 10 | HCG32100 | Table support (front) | |
| | 11 | HCG30590 | Table support (left) | |
| | 12 | HCG30691 | Carriage cover (left) | |
| | 13 | →4b | Table support bracket B | |
| | 14 | HCG06260 | Cover for thread cutting driver | |
| | 15 | →5a | Embroidery frame ass'y (by model) | |
| | 16 | →5a | Tubular frame bracket (upper) (by model) | |
| | 16 | →5a | Cap frame bracket (upper) (by model) | |
| | 17 | →5a | Tubular frame bracket (lower) (by model) | |
| | 17 | →5a | Cap frame bracket (lower) (by model) | |
| | 18 | M0437016 | Clip (300mm) | |
| | 18 | HMF37550 | Clip (280mm) | |
| | 18 | M0437056 | Clip (190mm) | |
| | 18 | M0437836 | Clip (170mm) | |
| | 19 | →21a | Connecting plate | |
| | 20 | HCG37050 | Tubular frame spacer A | |
| | 21 | SCBD04008 | Hexagon socket head cap screw with flange (M4x8) | |
| | 22 | SCAD03006 | Hexagon socket head cap screw (M3x6) | |
| | 23 | SCBD04006 | Hexagon socket head cap screw with flange (M4x6) | |
| | 24 | HCG37081 | Tubular frame hold arm (right) | |
| | 25 | HCG37071 | Cap frame spacer | |
| | 26 | M0424080 | Spacer | |
| | 27 | M0438941 | Insert nut | |
| | 28 | →5a | Pitch gauge | |
| | 29 | HCG37091 | Tubular frame hold arm (left) | |
| | 30 | C0440563 | positioning pin | |
| | 31 | HCM41353 | Hold spring C | |
| | 32 | SBAB04010 | Binding head screw (M4x10) | |
| | 33 | HCM41361 | Hold spring base | |
| | 34 | →21a | Connecting plate | |
| | 35 | HCG37060 | Tubular frame spacer B | |

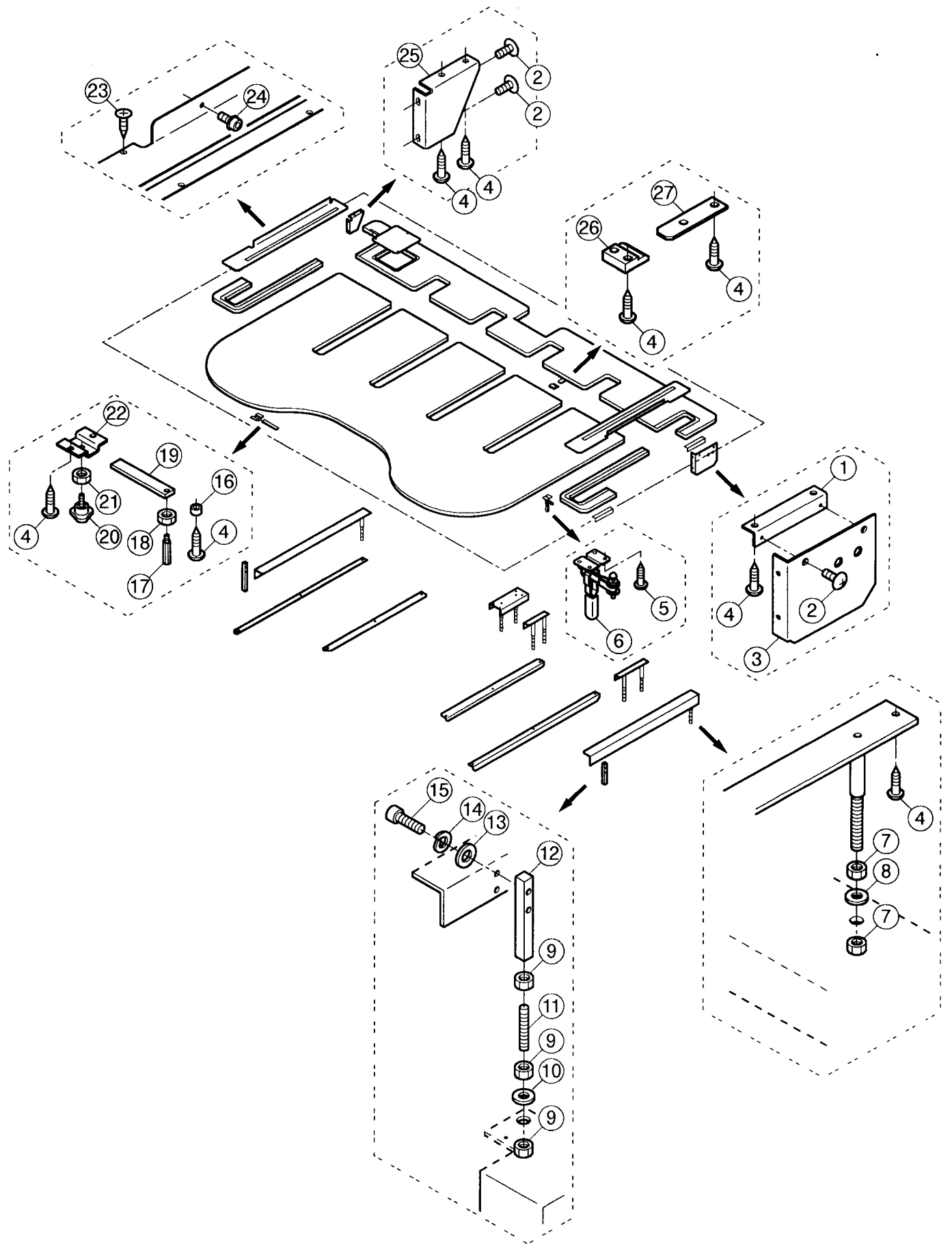
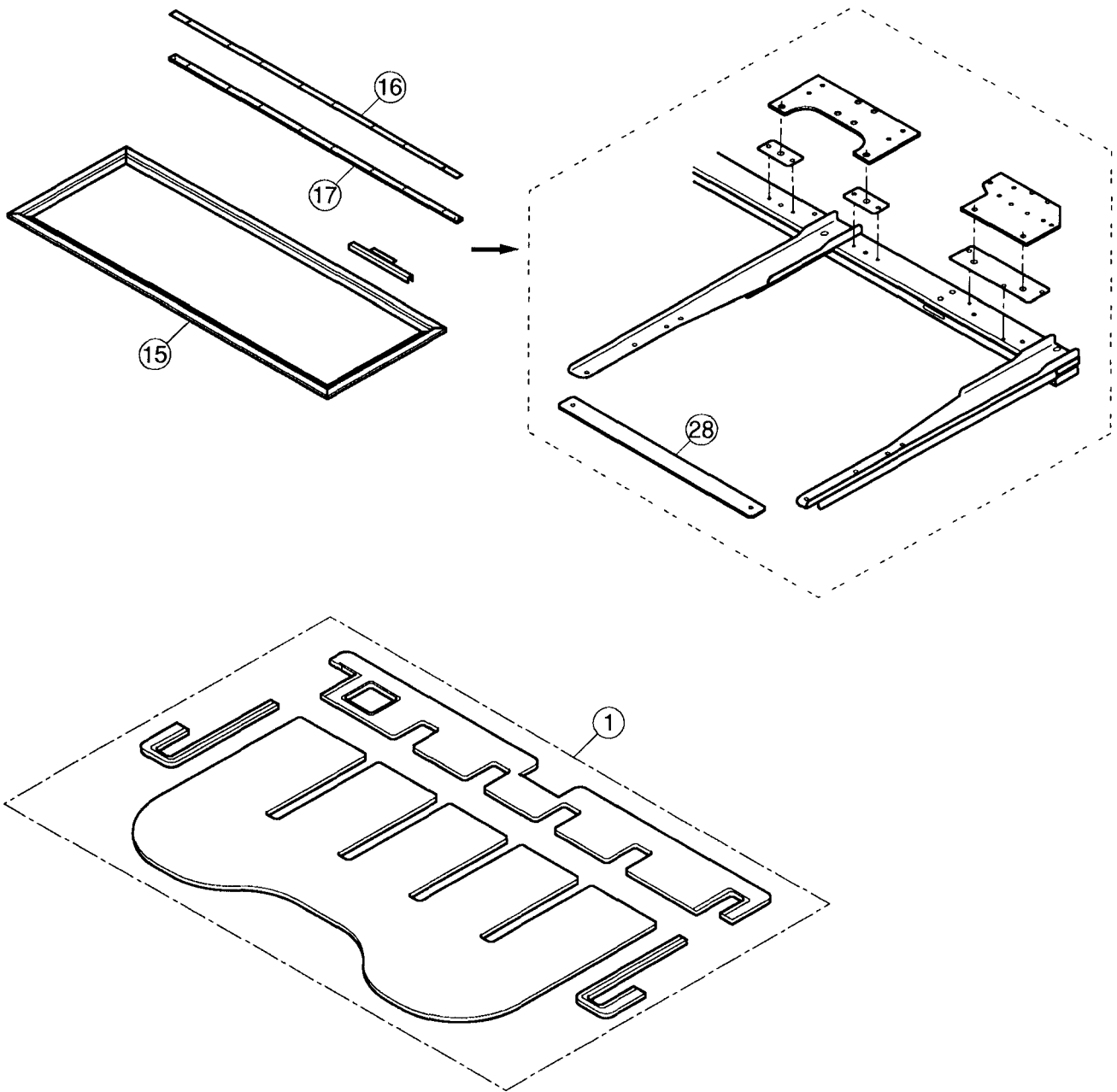


TABLE 2

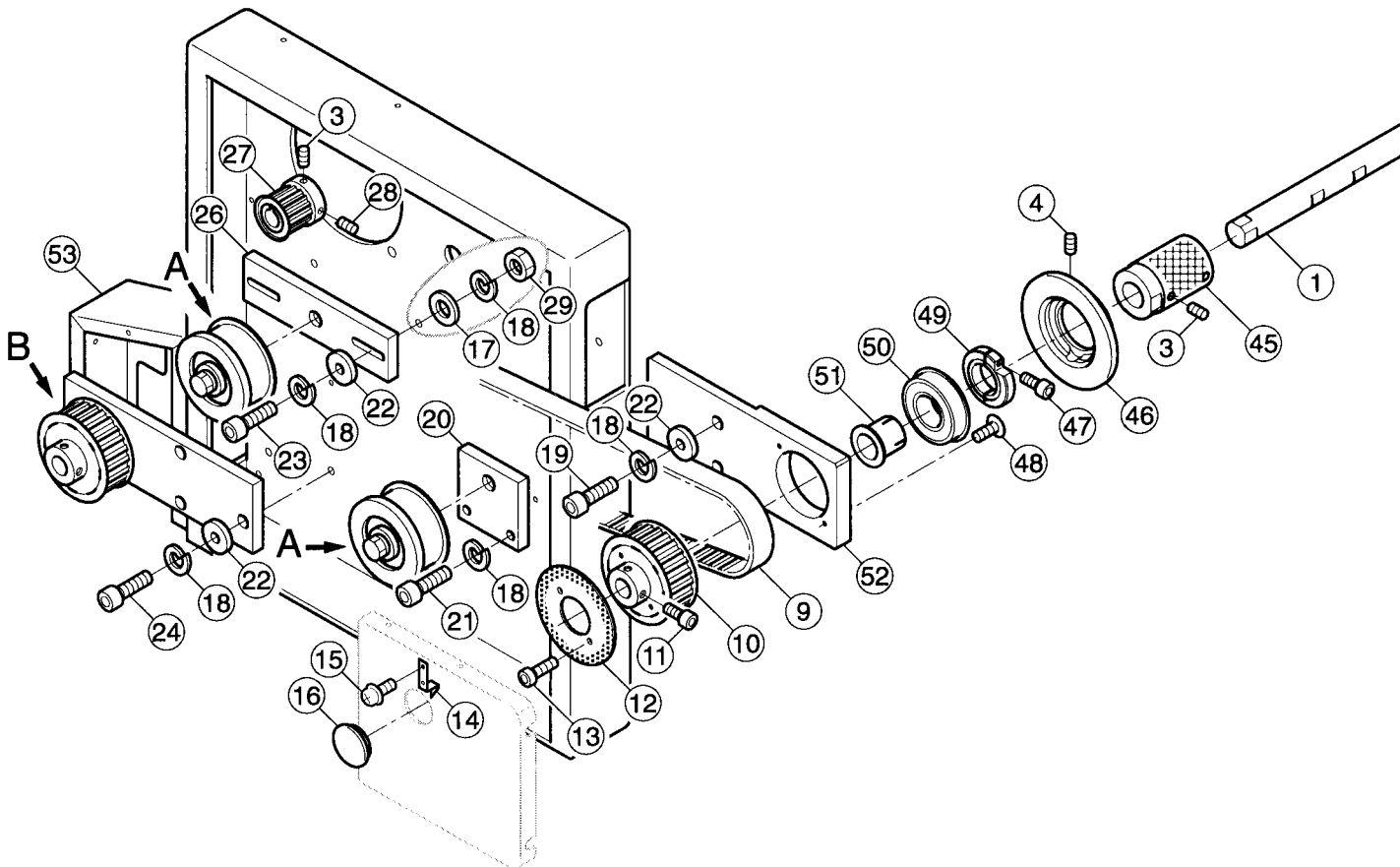
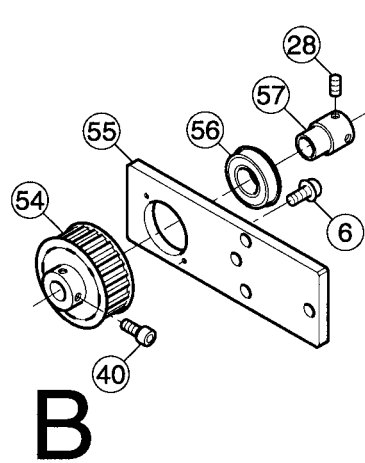
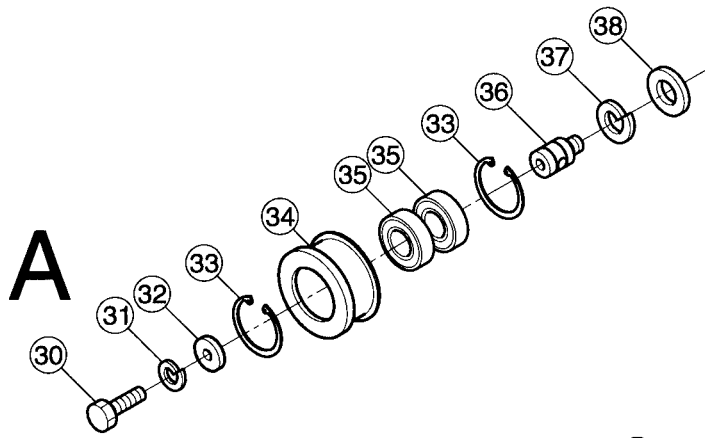
4b-1

| 組 Ass'y | 指図 El't | 部品番号 PARTS No. | PARTS NAMES | CGB9B17 NOTE / 備考 |
|------------|------------|-------------------|---|----------------------|
| | 1 | HCG30620 | Table support bracket A | |
| | 2 | STAB04006 | Truss head screw (cross recessed, M4x6) | |
| | 3 | →1a | Table support C (side) | |
| | 4 | SKAB5A020 | Round head wood screw (cross recessed head, 5.1x20) | |
| | 5 | SKAB3E016 | Round head wood screw (cross recessed head, 3.5x16) | |
| | 6 | MPZ01990 | Toggle clamp | |
| | 7 | NHAD12000 | Hexagon nut (M12) | |
| | 8 | WPAD12000 | Plain washer (M12) | |
| | 9 | NHAD10000 | Hexagon nut (M10) | |
| | 10 | WPAD10000 | Plain washer (M10) | |
| | 11 | HCG30230 | Table support screw | |
| | 12 | HCG30670 | Table support stud | |
| | 13 | WPAA06000 | Plain washer (M6) | |
| | 14 | WSAA06000 | Spring lock washer (M6) | |
| | 15 | SCAA06025 | Hexagon socket head cap screw (M6x25) | |
| | 16 | M0412241 | Plastic ring | |
| | 17 | M0410041 | Stud | |
| | 18 | NHAD05000 | Hexagon nut (M5) | |
| | 19 | HCM34060 | Table prop B | |
| | 20 | MPZ01080 | Knob bolt (M6) | |
| | 21 | NHAD06000 | Hexagon nut (M6) | |
| | 22 | HCM34050 | Table prop A | |
| | 23 | SNAB3A010 | Flat head tapping screw (cross recessed head, 3.1x10) | |
| | 24 | SCBD04008 | Hexagon socket head cap screw with flange (M4x8) | |
| | 25 | HCG30630 | Table support bracket B | |
| | 26 | HCG30360 | Table prop block | |
| | 27 | HCG30201 | Table prop plate | |



| 指図 / El't PARTS NAMES | | 1 Table set | 1 5 Embroidery frame ass'y | 1 6 Tubular frame bracket (upper) | 1 6 Cap frame bracket (upper) |
|--------------------------|-------------|----------------|----------------------------------|---|-------------------------------------|
| 機種 MODEL | 1 2 0 6 B | HCG30501 | HCG937070 | HCG37300 | HCG37320 |
| | 1 0 0 6 B | HCG30501 | HCG937070 | HCG37300 | HCG37320 |
| | X 1 2 0 4 B | HCG30700 | HCG937080 | HCG37401 | HCG37420 |
| | X 1 0 0 4 B | HCG30700 | HCG937080 | HCG37401 | HCG37420 |
| | 1 2 0 4 B | HCG30760 | HCG937090 | HCG37260 | HCG37280 |
| | 1 0 0 4 B | HCG30760 | HCG937090 | HCG37260 | HCG37280 |
| | 1 2 0 2 B | HCG30790 | HCG937100 | HCG37251 | HCG37270 |
| | 1 0 0 2 B | HCG30790 | HCG937100 | HCG37251 | HCG37270 |

| 指図 / El't PARTS NAMES | | 1 7 Tubular frame bracket (lower) | 1 7 Cap frame bracket (lower) | 2 8 Pitch gauge | |
|--------------------------|-------------|---|-------------------------------------|--------------------|--|
| 機種 MODEL | 1 2 0 6 B | HCG37310 | HCG37330 | HCM53032 | |
| | 1 0 0 6 B | HCG37310 | HCG37330 | HCM53032 | |
| | X 1 2 0 4 B | HCG37410 | HCG37430 | HCM53052 | |
| | X 1 0 0 4 B | HCG37410 | HCG37430 | HCM53052 | |
| | 1 2 0 4 B | HCG37220 | HCG37240 | HCM53032 | |
| | 1 0 0 4 B | HCG37220 | HCG37240 | HCM53032 | |
| | 1 2 0 2 B | HCG37210 | HCG37230 | HCM53052 | |
| | 1 0 0 2 B | HCG37210 | HCG37230 | HCM53052 | |

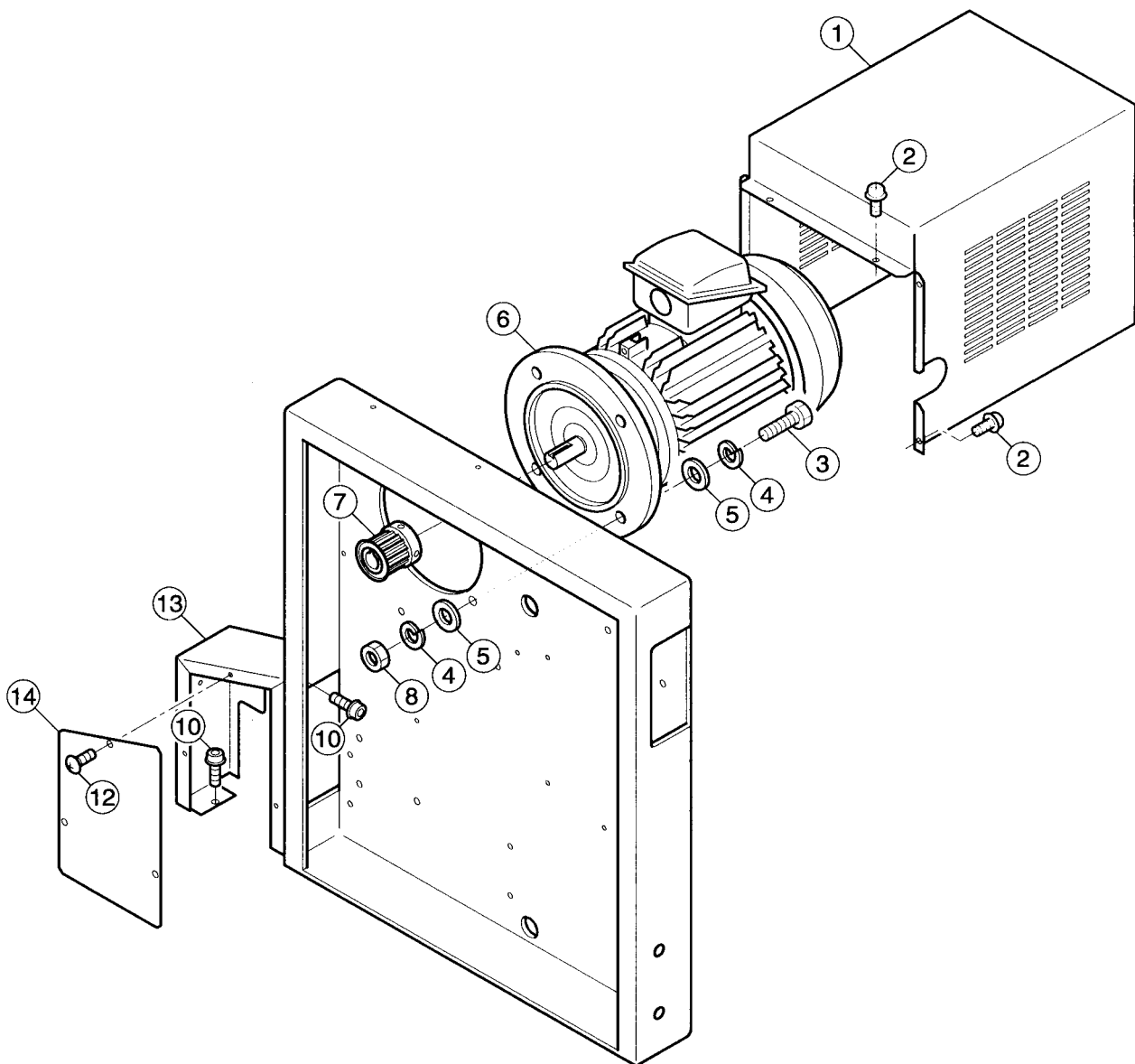


TRANSMISSION UNIT 1

CGa2426

6a-1

| Ass'y | El't | Parts No. | Parts Names | Note |
|-------|------|-----------|---|------|
| | 1 | →2a | Upper shaft (by model) | |
| | 3 | SSAA06010 | Hexagon socket set screw (M6x10) | |
| | 4 | SSAA05008 | Hexagon socket set screw (M5x8) | |
| | 6 | SPBB04008 | Pan head screw (cross recessed, M4x8) | |
| | 9 | MPV00540 | Timing belt | |
| | 10 | HCG02340 | Upper shaft pulley | |
| | 11 | SCAA06008 | Hexagon socket head cap screw (M6x8) | |
| | 12 | HCG02091 | Dial | |
| | 13 | SCAA04006 | Hexagon socket head cap screw (M4x6) | |
| | 14 | HCG02430 | Pointer | |
| | 15 | SPDD03006 | Pan head screw (cross recessed, M3x6) | |
| | 16 | M0408150 | Rubber cap (small) | |
| | 17 | WPAA06000 | Plain washer (M6) | |
| | 18 | WSAA06000 | Spring lock washer (M6) | |
| | 19 | SCAA06020 | Hexagon socket head cap screw (M6x20) | |
| | 20 | HCG02330 | Tension plate B | |
| | 21 | SCAA06015 | Hexagon socket head cap screw (M6x15) | |
| | 22 | M0408160 | Washer | |
| | 23 | SCAA06025 | Hexagon socket head cap screw (M6x25) | |
| | 24 | SCAA06018 | Hexagon socket head cap screw (M6x18) | |
| | 26 | HCG02320 | Tension plate A | |
| | 27 | HCG02361 | Motor pulley | |
| | 28 | SSAA06008 | Hexagon socket set screw (M6x8) | |
| | 29 | NHAA06000 | Hexagon nut (M6) | |
| | 30 | SHAD08015 | Hexagon head bolt (M8x15) | |
| | 31 | WSAA08000 | Spring lock washer (M8) | |
| | 32 | SF402130 | Tension washer | |
| | 33 | MPR00440 | JO-ring (JO-42) | |
| | 34 | HCG02372 | Tension pulley | |
| | 35 | MPB00030 | Bearing (6004LLU) | |
| | 36 | HCG02380 | Tension shaft | |
| | 37 | WSAA12000 | Spring lock washer (M12) | |
| | 38 | WPAA12000 | Plain washer (M12) | |
| | 40 | SCAA06010 | Hexagon socket head cap screw (M6x10) | |
| | 44 | →2a | Lower shaft (by model) | |
| | 45 | HCG02690 | Upper shaft collar B | |
| | 46 | HCG60170 | Main drive wheel C | |
| | 47 | SCAA05020 | Hexagon socket head cap screw (M5x20) | |
| | 48 | STAB04006 | Truss head screw (cross recessed, M4x6) | |
| | 49 | HCG02660 | Fasten collar | |
| | 50 | MPB00880 | Bearing (6205ZZNR) | |
| | 51 | HCG02670 | Bush | |
| | 52 | HCG02620 | Upper shaft plate | |
| | 53 | HCG02550 | Pulley box 2 | |
| | 54 | HCG02650 | Lower shaft pulley | |
| | 55 | HCG02630 | Lower shaft plate | |
| | 56 | MPB00860 | Bearing (6004ZZNR) | |
| | 57 | HCG02680 | Lower shaft collar | |

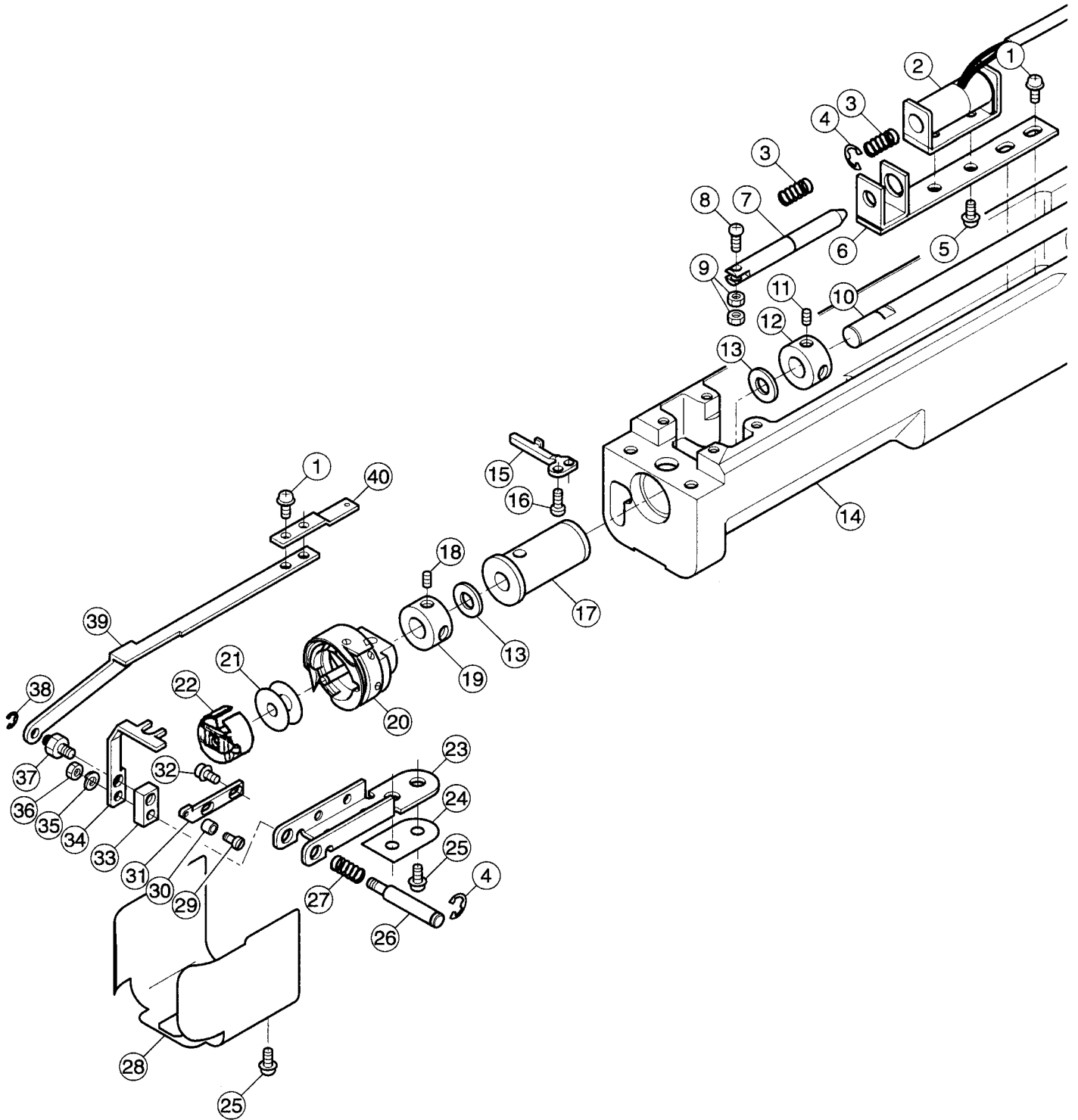


TRANSMISSION UNIT 2

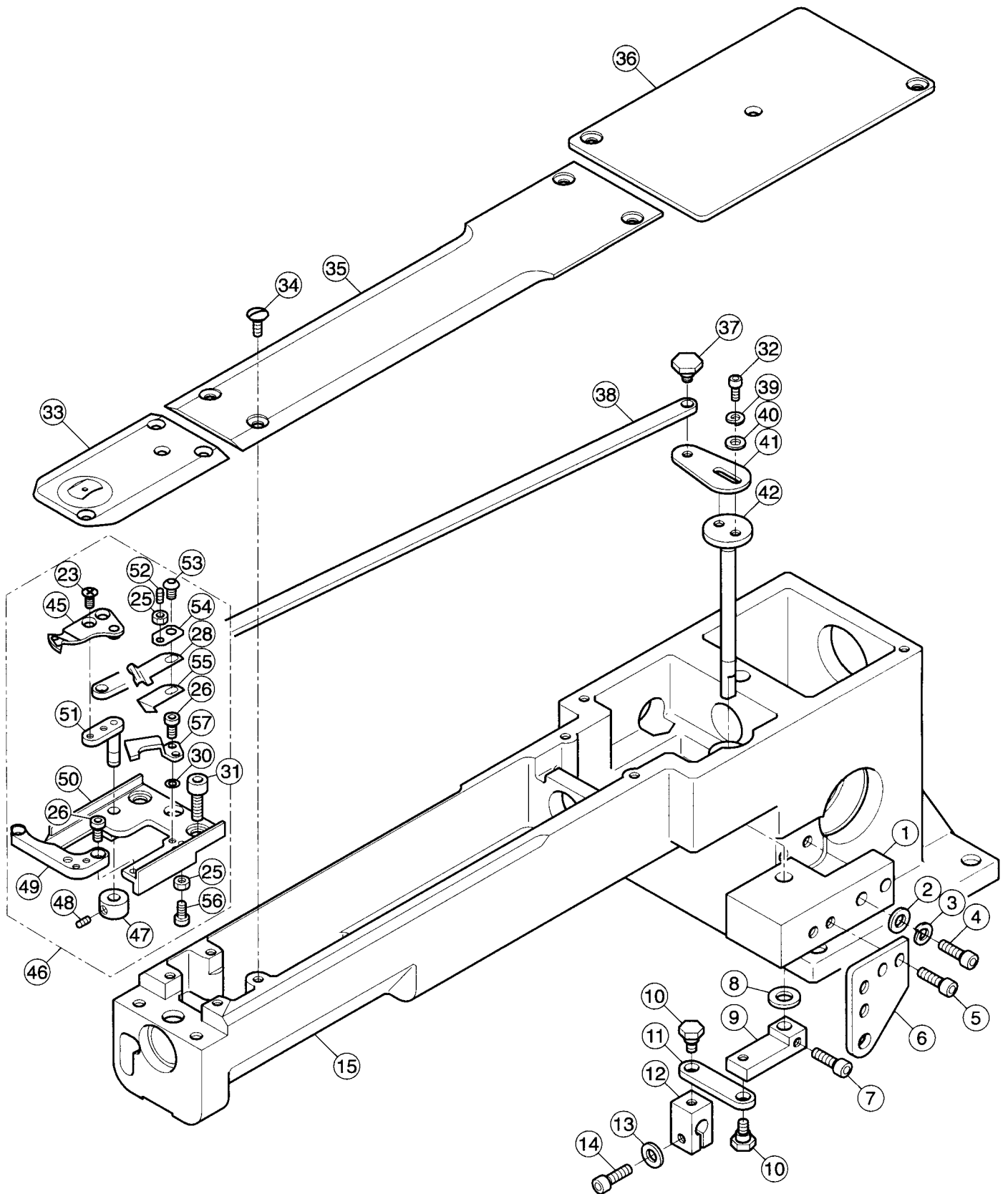
CGa2426

6b-1

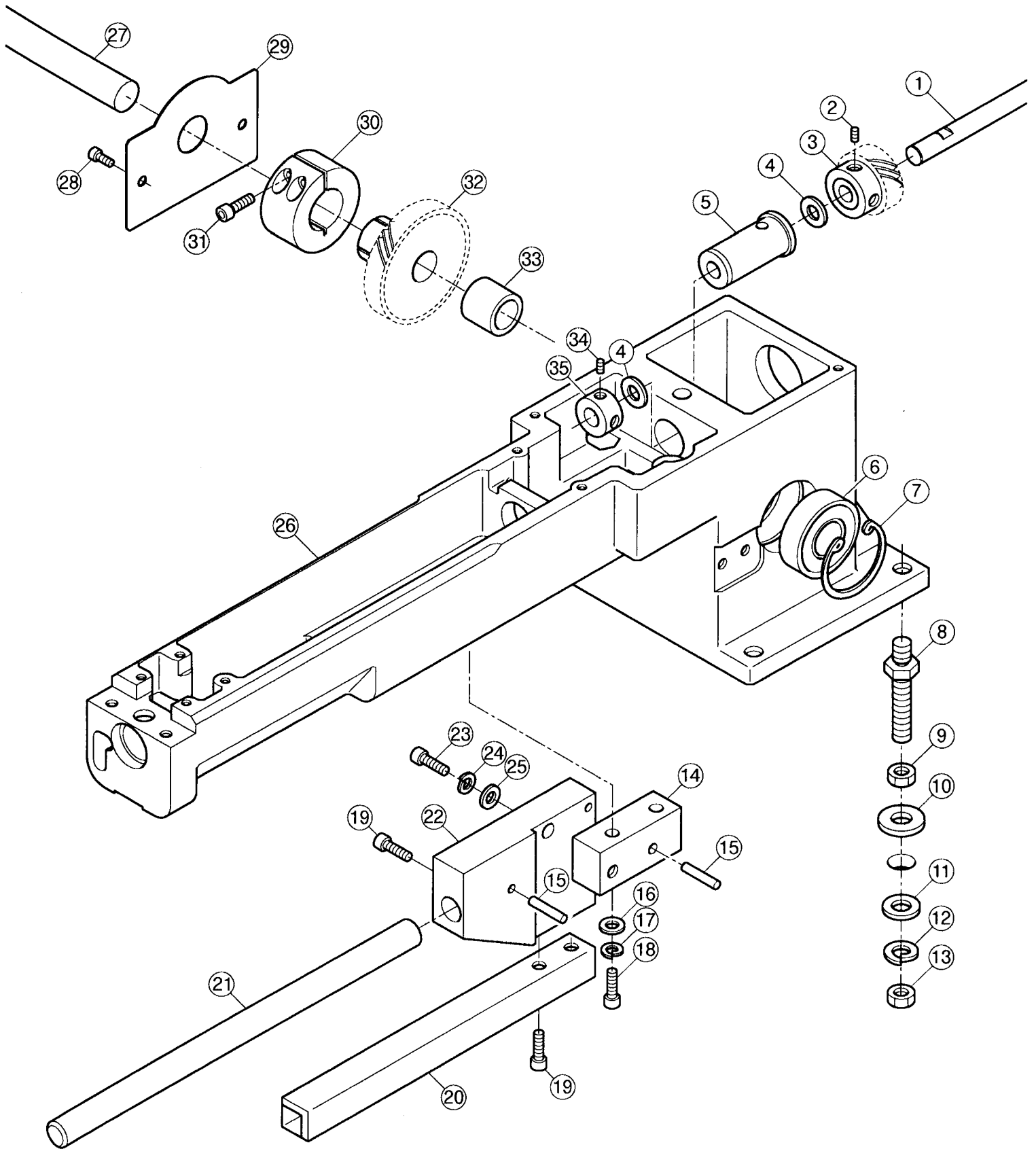
| Ass'y | El't | Parts No. | Parts Names | Note |
|-------|------|-----------|--|------|
| | 1 | HCG02503 | Motor cover | |
| | 2 | SPDB04008 | Pan head screw (cross recessed, M4x8) | |
| | 3 | SHAD08030 | Hexagon head bolt (M8x30) | |
| | 4 | WSAA08000 | Spring lock washer (M8) | |
| | 5 | WPAA08000 | Plain washer (M8) | |
| | 6 | HCG75010 | Drive motor | |
| | 7 | →6a | Motor pulley | |
| | 8 | NHAA08000 | Hexagon nut (M8) | |
| | 10 | SCBA04008 | Hexagon socket head cap screw with flange (M4x8) | |
| | 12 | STAB04006 | Truss head screw (cross recessed, M4x6) | |
| | 13 | →6a | Pulley box 2 | |
| | 14 | HCG02560 | Box cover 2 | |



| 組 Ass'y | 指図 El't | 部品番号 PARTS No. | PARTS NAMES | CGB1001 NOTE / 備考 |
|------------|------------|-------------------|--|----------------------|
| | 1 | SPDB04008 | Pan head screw (cross recessed, M4x8) | |
| | 2 | HCX78002 | Keeper solenoid | |
| | 3 | HCM04180 | Spring B | |
| | 4 | MPR00420 | E-ring (E-4) | |
| | 5 | SPDB03006 | Pan head screw (cross recessed, M3x6) | |
| | 6 | HCM04171 | Solenoid base | |
| | 7 | HCM04191 | Plunger | |
| | 8 | SPAC2C010 | Pan head screw (cross recessed, M2.3x10) | |
| | 9 | NHAC2C000 | Hexagon nut (M2.3) | |
| | 10 | HCM04531 | Rotary hook shaft (for Y480) | |
| | 11 | SSAA04004 | Hexagon socket set screw (M4x4) | |
| | 12 | HCM04680 | Stopping collar A | |
| | 13 | MPB00120 | Plastic thrust washer (TW0815) | |
| | 14 | HCG04014 | Bed | |
| | 15 | HCM04232 | Rotary hook retainer | |
| | 16 | SAAA03006 | Hexagon socket button head screw (M3x6) | |
| | 17 | HCG04035 | Bushing for rotary hook shaft | |
| | 18 | SSAA05006 | Hexagon socket set screw (M5x6) | |
| | 19 | HMF04190 | Stopping collar | |
| | 20 | MPZ00050 | Rotary hook | |
| | 20 | MPZ00540 | Rotary hook (for thick thread) | |
| | 21 | MPZ00550 | Bobbin | |
| | 22 | MPZ00080 | Bobbin case | |
| | 23 | HCM04144 | Shaft holder | |
| | 24 | HCM04650 | Hinge spacer | |
| | 25 | SPDB04010 | Pan head screw (cross recessed, M4x10) | |
| | 26 | HCM04160 | Keeper shaft | |
| | 27 | HCM04150 | Spring A | |
| | 28 | HCG04230 | Keeper cover | |
| | 29 | HCM04490 | Stopper pin | |
| | 30 | HCM04510 | Stopper | |
| | 31 | HCM04480 | Stopper bracket | |
| | 32 | SCBA03006 | Hexagon socket head cap screw with flange (M3x6) | |
| | 33 | HCM04131 | Fulcrum block | |
| | 34 | HCM04413 | Keeper | |
| | 35 | WSAD03000 | Spring lock washer (M3) | |
| | 36 | NHAD03000 | Hexagon nut (M3) | |
| | 37 | HCM04121 | Fulcrum pin | |
| | 38 | MPR00290 | E-ring (E-3) | |
| | 39 | HCM04203 | Keeper actuating plate A | |
| | 40 | HCM04211 | Keeper actuating plate B | |



| 組 Ass'y | 指図 Elt | 部品番号 PARTS No. | PARTS NAMES | CGB1828 NOTE / 備考 |
|------------|-----------|-------------------|---|----------------------|
| | 1 | HCM04092 | Link base | |
| | 2 | WPAA05000 | Plain washer (M5) | |
| | 3 | WSAA05000 | Spring lock washer (M5) | |
| | 4 | SCAA05020 | Hexagon socket head cap screw (M5x20) | |
| | 5 | SCAA04010 | Hexagon socket head cap screw (M4x10) | |
| | 6 | HMF04050 | Support for moving shaft | |
| | 7 | SCAA04008 | Hexagon socket head cap screw (M4x8) | |
| | 8 | WPAA06000 | Plain washer (M6) | |
| | 9 | M0404240 | Drive arm for knife | |
| | 10 | M0404263 | Hinge screw for link | |
| | 11 | M0404250 | Link | |
| | 12 | M0404271 | Fasten block for thread cut shaft | |
| | 13 | WPAA04000 | Plain washer (M4) | |
| | 14 | SCCA04015 | Hexagon socket head cap screw (M4x15) | |
| | 15 | HCG04014 | Bed | |
| 46 * | 23 | HMF04260 | Flat head screw | |
| 46 * | 25 | NHCA03000 | Hexagon nut (M3) | |
| 46 * | 26 | SCAA03004 | Hexagon socket head cap screw (M3x4) | |
| 46 * | 28 | HCM04580 | Bobbin thread holder | |
| 46 * | 30 | MPZ02230 | Washer | |
| | 31 | SCAA05010 | Hexagon socket head cap screw (M5x10) | |
| | 32 | SCAA03006 | Hexagon socket head cap screw (M3x6) | |
| | 33 | HCM04750 | Needle plate | |
| | 34 | MPZ00040 | Screw for needle plate | |
| | 35 | HCM04050 | Cover B (for Y480) | |
| | 36 | HCM04041 | Cover A | |
| | 37 | HCM04252 | Hinge screw for link | |
| | 38 | HCM04223 | Rod (for Y480) | |
| | 39 | WSAA03000 | Spring lock washer (M3) | |
| | 40 | WPAA03000 | Plain washer (M3) | |
| | 41 | HCM04550 | Link C | |
| | 42 | C0404301 | Drive shaft for link | |
| 46 * | 45 | HCM04293 | Knife | |
| | 46 | HCA04030 | Thread cutting device ass'y | |
| 46 * | 47 | HCA04060 | Knife drive shaft retainer | |
| 46 * | 48 | SSAA04004 | Hexagon socket set screw (M4x4) | |
| 46 * | 49 | HCA04070 | Rotary hook retainer base | |
| 46 * | 50 | HCA04040 | Thread cutting device base | |
| 46 * | 51 | HCA04050 | Knife drive shaft | |
| 46 * | 52 | SSAA03003 | Hexagon socket set screw (M3x3) | |
| 46 * | 53 | SAAA03005 | Hexagon socket button head screw (M3x5) | |
| 46 * | 54 | HCA04090 | Holder retainer | |
| 46 * | 55 | HCA04082 | Holder support | |
| 46 * | 56 | SCAA03012 | Hexagon socket head cap screw (M3x12) | |
| 46 * | 57 | HCA04100 | Fixed knife | |

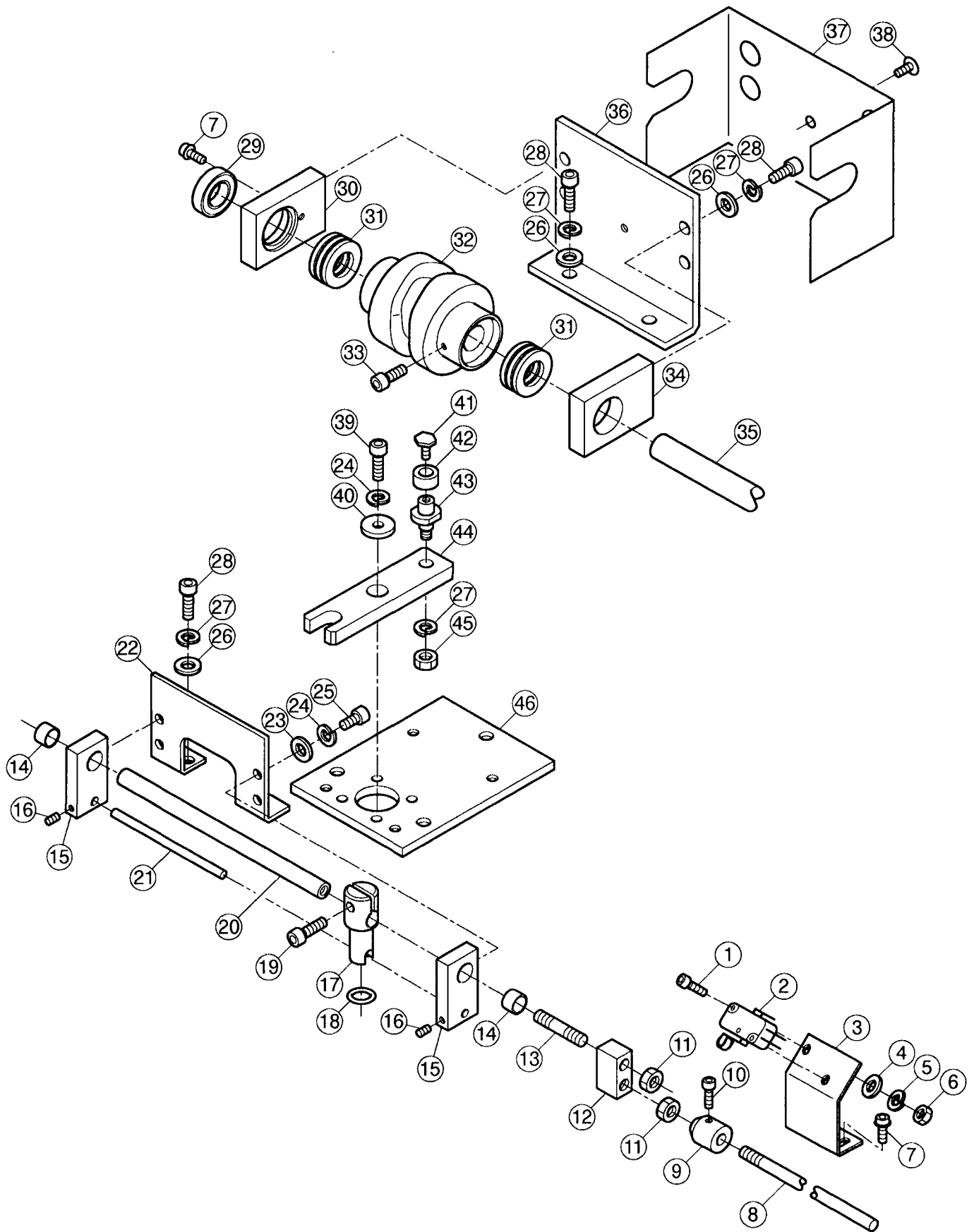


| 組 Ass'y | 指図 Elt | 部品番号 PARTS No. | PARTS NAMES | CGB0926 NOTE / 備考 |
|------------|-----------|-------------------|---------------------------------------|----------------------|
| | 1 | HCM04531 | Rotary hook shaft (for Y480) | |
| | 2 | SSAA05008 | Hexagon socket set screw (M5x8) | |
| | 3 | HMF04060 | Gear for rotary hook shaft | |
| | 4 | MPB00120 | Plastic thrust washer (TW0815) | |
| | 5 | HCG04035 | Bushing for rotary hook shaft | |
| | 6 | MPB00150 | Bearing (6202LLU) | |
| | 7 | MPR00410 | C-ring (C-35) | |
| | 8 | HCG04200 | Stud | |
| | 9 | NHBA08000 | Hexagon nut (M8) | |
| | 10 | HCG04211 | Washer | |
| | 11 | WPAA08000 | Plain washer (M8) | |
| | 12 | WSAA08000 | Spring lock washer (M8) | |
| | 13 | NHAA08000 | Hexagon nut (M8) | |
| | 14 | HCM04540 | Holder (for Y480, standard hook) | |
| | 15 | MPP00090 | Spring pin (4x20) | |
| | 16 | WPAA05000 | Plain washer (M5) | |
| | 17 | WSAA05000 | Spring lock washer (M5) | |
| | 18 | SCAA05035 | Hexagon socket head cap screw (M5x35) | |
| | 19 | SCAD06010 | Hexagon socket head cap screw (M6x10) | |
| | 20 | FRA43872 | Guide shaft for cap frame | |
| | 21 | FRA43860 | Fulcrum shaft for cap frame | |
| | 22 | HCM04672 | Fulcrum shaft holder | |
| | 23 | SCAA06035 | Hexagon socket head cap screw (M6x35) | |
| | 24 | WSAA06000 | Spring lock washer (M6) | |
| | 25 | WPAA06000 | Plain washer (M6) | |
| | 26 | HCG04014 | Bed | |
| | 27 | →2a | Lower shaft (by model) | |
| | 28 | SCAA04006 | Hexagon socket head cap screw (M4x6) | |
| | 29 | C0404031 | Side cover | |
| | 30 | M0404123 | Fasten collar | |
| | 31 | SCAA04015 | Hexagon socket head cap screw (M4x15) | |
| | 32 | SF404070 | Drive spiral gear | |
| | 33 | SF404030 | Spiral gear collar | |
| | 34 | SSAA04004 | Hexagon socket set screw (M4x4) | |
| | 35 | HCM04680 | Stopping collar A | |

THREAD CUTTING DRIVER 1

CGB8601

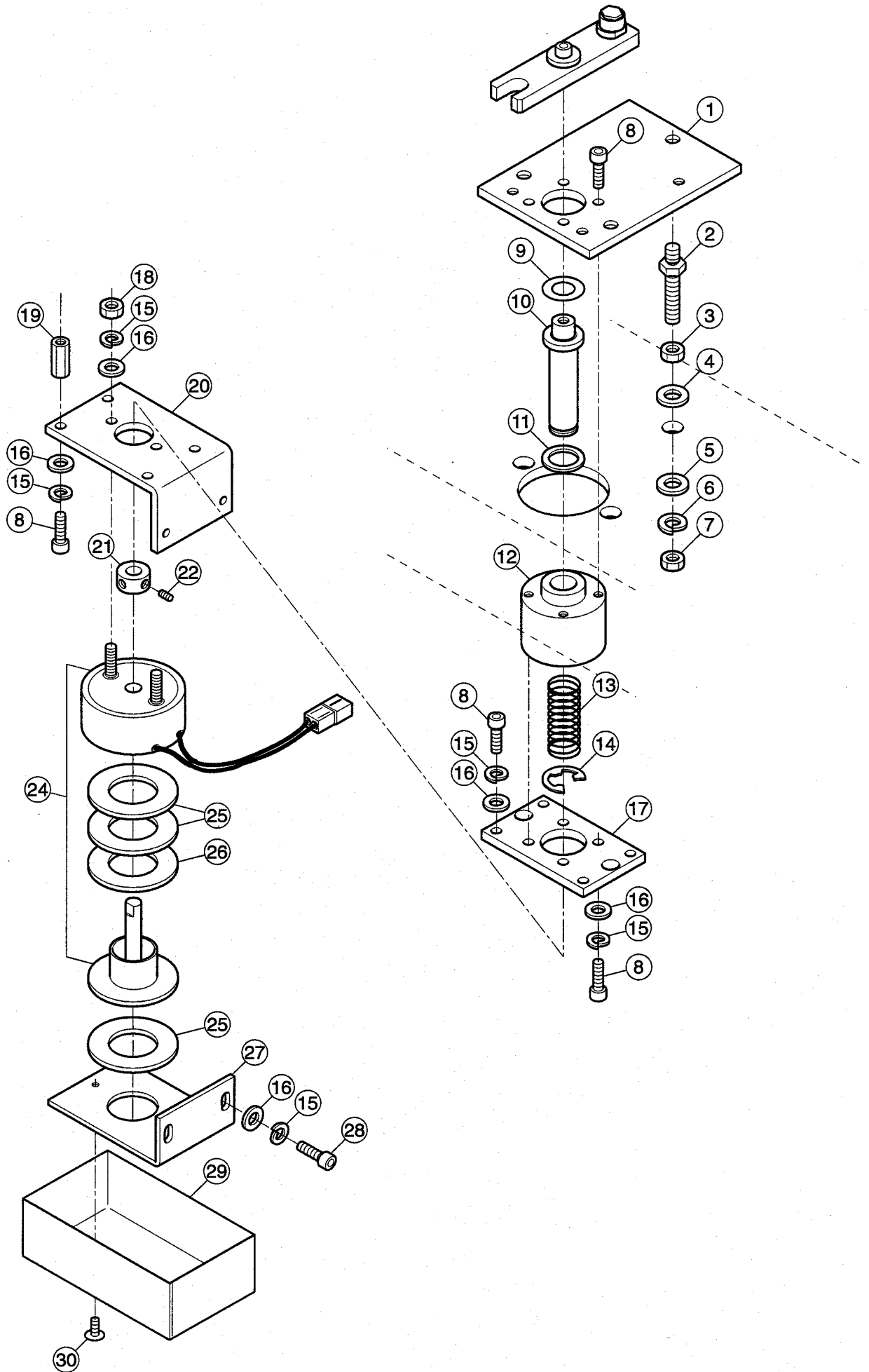
8a-1



THREAD CUTTING DRIVER 1

8a-1

| 組 Ass'y | 指図 Elt | 部品番号 PARTS No. | PARTS NAMES | CGB8601 NOTE / 備考 |
|------------|-----------|-------------------|--|----------------------|
| | 1 | SCAA03015 | Hexagon socket head cap screw (M3x15) | |
| | 2 | EPS00010 | Micro switch | |
| | 3 | HCG06370 | Micro switch bracket | |
| | 4 | WPAA03000 | Plain washer (M3) | |
| | 5 | WSAA03000 | Spring lock washer (M3) | |
| | 6 | NHAA03000 | Hexagon nut (M3) | |
| | 7 | SCBA04008 | Hexagon socket head cap screw with flange (M4x8) | |
| | 8 | →9a | Moving shaft (by model) | |
| | 9 | M0406101 | LS dog | |
| | 10 | SCAA04008 | Hexagon socket head cap screw (M4x8) | |
| | 11 | M0404280 | Nut | |
| | 12 | HCG06320 | Connecting block | |
| | 13 | HCG06300 | Bolt | |
| | 14 | MPB00740 | Bushing | |
| | 15 | HCG06280 | Shaft support | |
| | 16 | SSAA04008 | Hexagon socket set screw (M4x8) | |
| | 17 | M0406142 | Lever drive pin | |
| | 18 | MPR00490 | O-Ring (P-11) | |
| | 19 | SCAA06020 | Hexagon socket head cap screw (M6x20) | |
| | 20 | M0406161 | Slide shaft | |
| | 21 | HCG06310 | Guide pin | |
| | 22 | HCG06291 | Shaft support bracket | |
| | 23 | WPAA05000 | Plain washer (M5) | |
| | 24 | WSAA05000 | Spring lock washer (M5) | |
| | 25 | SCAA05012 | Hexagon socket head cap screw (M5x12) | |
| | 26 | WPAA06000 | Plain washer (M6) | |
| | 27 | WSAA06000 | Spring lock washer (M6) | |
| | 28 | SCAA06015 | Hexagon socket head cap screw (M6x15) | |
| | 29 | MPB00730 | Bearing (6902ZZ) | |
| | 30 | HCG06220 | Cam support left | |
| | 31 | MPB00160 | Thrust bearing (51102) | |
| | 32 | HCA06090 | Cam for thread cutting driver | |
| | 33 | SCAA06012 | Hexagon socket head cap screw (M6x12) | |
| | 34 | HCG06210 | Cam support right | |
| | 35 | →2a | Lower shaft (by model) | |
| | 36 | HCG06240 | Cam support bracket | |
| | 37 | HCG06251 | Cam cover | |
| | 38 | STAB05006 | Truss head screw (cross recessed, M5x6) | |
| | 39 | SCAA05015 | Hexagon socket head cap screw (M5x15) | |
| | 40 | M0406410 | Washer | |
| | 41 | M0406211 | Roller screw | |
| | 42 | M0406220 | Thread cutting roller | |
| | 43 | M0406231 | Roller shaft | |
| | 44 | HCG06270 | Cam lever | |
| | 45 | NHAA06000 | Hexagon nut (M6) | |
| | 46 | HCG06200 | Cam support base | |



THREAD CUTTING DRIVER 2

8b-1

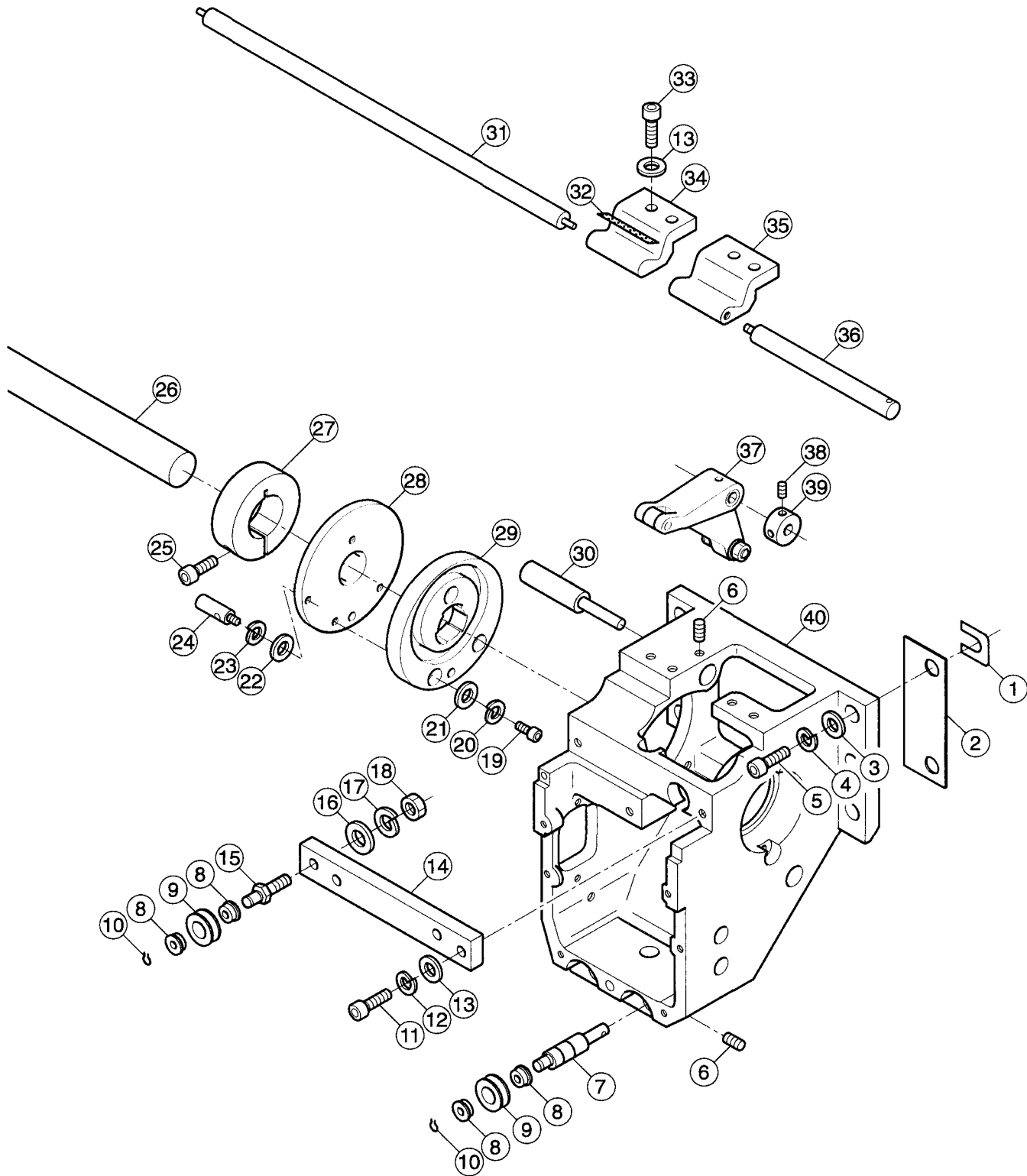
| 組 | 指図 | 部品番号 | | CGB1828 |
|-------|------|-----------|---|-----------|
| Ass'y | El't | PARTS No. | PARTS NAMES | NOTE / 備考 |
| | 1 | HCG06200 | Cam support base | |
| | 2 | HCG04200 | Stud | |
| | 3 | NHCA08000 | Hexagon nut (M8) | |
| | 4 | HCG04211 | Washer | |
| | 5 | WPAD08000 | Plain washer (M8) | |
| | 6 | WSAD08000 | Spring lock washer (M8) | |
| | 7 | NHAD08000 | Hexagon nut (M8) | |
| | 8 | SCAA05015 | Hexagon socket head cap screw (M5x15) | |
| | 9 | HCG06380 | Washer | |
| | 10 | M0406252 | Lever shaft | |
| | 11 | M0406260 | Urethane washer | |
| | 12 | HCG06330 | Lever shaft support | |
| | 13 | M0406050 | Lever spring | |
| | 14 | MPR00430 | E-ring (E-12) | |
| | 15 | WSAA05000 | Spring lock washer (M5) | |
| | 16 | WPAA05000 | Plain washer (M5) | |
| | 17 | HCG06341 | Solenoid base | |
| | 18 | NHAA05000 | Hexagon nut (M5) | |
| | 19 | HMF06050 | Solenoid stud | |
| | 20 | HCG06350 | Fixing plate | |
| | 21 | HMF04190 | Collar | |
| | 22 | SSAA05006 | Hexagon socket set screw (M5x6) | |
| | 24 | HMX78020 | Thread cutting solenoid | |
| | 25 | M0406010 | Solenoid felt | |
| | 26 | HCG06400 | Solenoid felt B | |
| | 27 | HCG06020 | Felt base | |
| | 28 | SCAA05010 | Hexagon socket head cap screw (M5x10) | |
| | 29 | HCG06360 | Solenoid cover | |
| | 30 | STAB04006 | Truss head screw (cross recessed, M4x6) | |

| 指図 / E'l't PARTS NAMES | | 8 Moving shaft | | |
|---------------------------|-------------|-------------------|--|--|
| 機種 MODEL | 1 2 0 6 B | HMF06220 | | |
| | 1 0 0 6 B | HMF06220 | | |
| | X 1 2 0 4 B | HMF06200 | | |
| | X 1 0 0 4 B | HMF06200 | | |
| | 1 2 0 4 B | HCG06050 | | |
| | 1 0 0 4 B | HCG06050 | | |
| | 1 2 0 2 B | HCG06061 | | |
| | 1 0 0 2 B | HCG06061 | | |

FIXED HEAD 1

10a-1

| 組 Ass'y | 指図 El't | 部品番号 PARTS No. | PARTS NAMES | CGB1828 NOTE / 備考 |
|------------|------------|-------------------|--|----------------------|
| | 1 | HCG08042 | Fasten collar | |
| | 2 | SCAA04015 | Hexagon socket head cap screw (M4x15) | |
| | 3 | SCBA04008 | Hexagon socket head cap screw with flange (M4x8) | |
| | 4 | MPB00670 | Bearing (6005LLB) | |
| | 5 | SCAA05012 | Hexagon socket head cap screw (M5x12) | |
| | 6 | HCG08082 | Pin (for needle bar driving lever) | |
| | 7 | SSAA05008 | Hexagon socket set screw (M5x8) | |
| | 8 | MPB00680 | Needle bearing (RNAO-8x15x10T2) | |
| | 9 | HCG08062 | Needle bar driving lever | |
| | 10 | WPAA08000 | Plain washer (M8) | |
| | 11 | MPR00060 | E-ring (E-7) | |
| | 12 | HCG08073 | Pin (for coupling rod) | |
| | 13 | HCG08140 | Guide rail | |
| | 14 | M0408230 | Slide block | |
| | 15 | SCAA04012 | Hexagon socket head cap screw (M4x12) | |
| | 16 | WSAA04000 | Spring lock washer (M4) | |
| | 17 | WPBA04000 | Plain washer (M4) | |
| | 18 | MPB00660 | Miniature bearing (LFW686ZZA) | |
| | 19 | HCG08092 | Link | |
| | 20 | HCG08102 | Pin (for link) | |
| | 21 | HMG08150 | Felt (for fixed head) | |
| | 22 | HCA08022 | Needle bar driver | |
| | 23 | HMF08040 | Slide shaft | |
| | 24 | HMG08110 | Lower face plate (right) | |
| | 25 | M0408440 | Face plate screw | |
| | 26 | HMG08100 | Lower face plate (feft) | |
| | 27 | HMG08120 | Upper face plate C | |
| | 28 | M0408430 | Plate nut | |
| | 29 | HMG08130 | Cushion B | |
| | 30 | M0408423 | Holding plate | |
| | 31 | SGAB2E005 | Flat head screw (cross recessed head, M2.5x5) | |
| | 32 | SCDA04008 | Hexagon socket flat head screw (M4x8) | |
| | 34 | HCG08051 | Connecting rod | |
| | 35 | WPAA06000 | Plain washer (M6) | |
| | 36 | WSAA06000 | Spring lock washer (M6) | |
| | 37 | NHAA06000 | Hexagon nut (M6) | |
| | 38 | MPB00690 | Needle bearing (K40x45x13) | |
| | 40 | HCG08390 | Fixed head B | |
| | 41 | HMF08290 | Jump solenoid ass'y | |
| | 42 | HCG08320 | Plate B | |
| | 43 | HCG08340 | Needle bar cam D | |



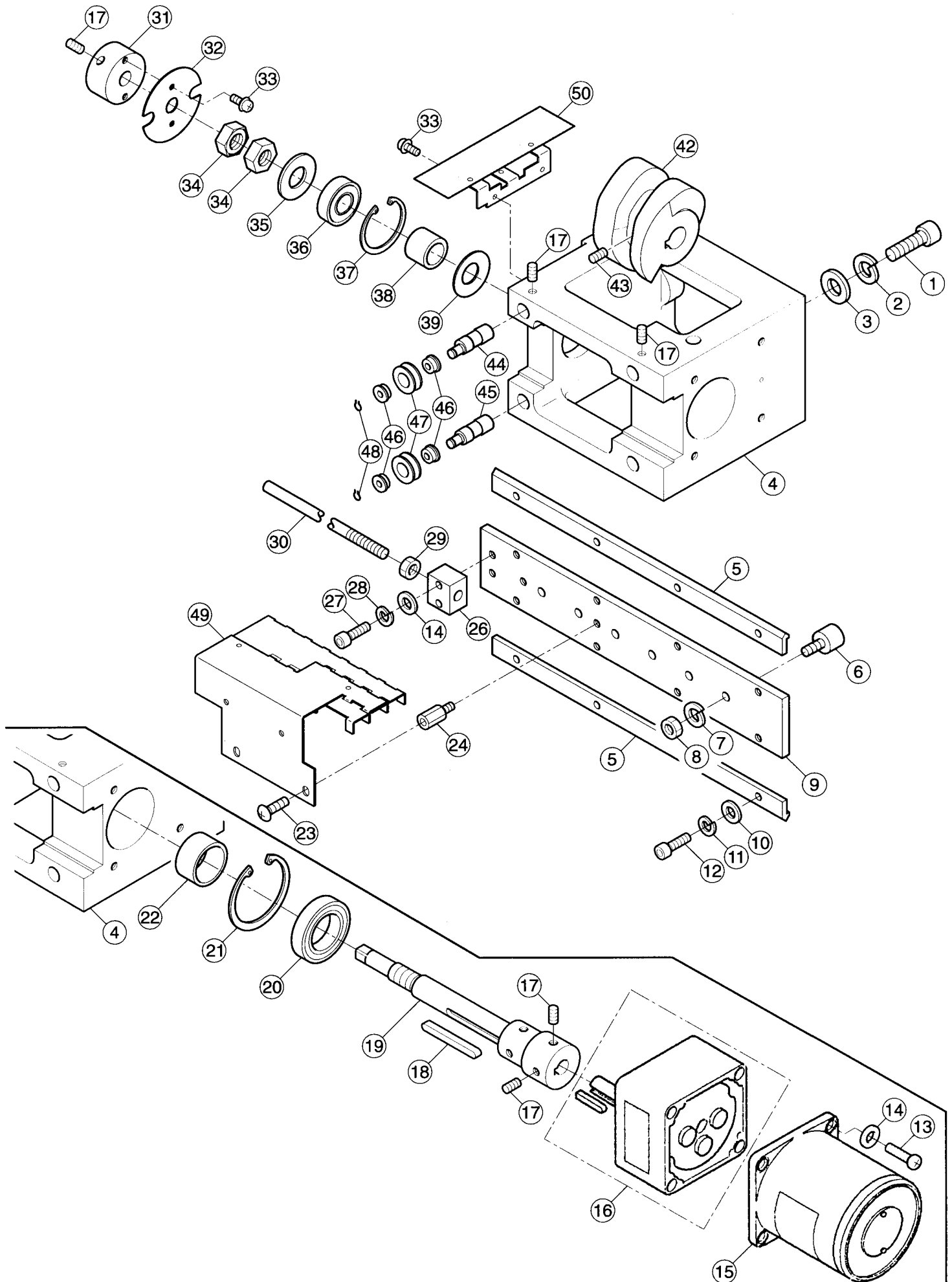
FIXED HEAD 2

10b-1

| 組 Ass'y | 指図 El't | 部品番号 PARTS No. | PARTS NAMES | CGB1914 NOTE / 備考 |
|------------|------------|-------------------|---|----------------------|
| | 1 | HCG08230 | Spacer (1.0mm) | |
| | 1 | HCG08240 | Spacer (0.8mm) | |
| | 1 | HCG08250 | Spacer (0.5mm) | |
| | 1 | HCG08260 | Spacer (0.3mm) | |
| | 1 | HCG08280 | Spacer (0.2mm) | |
| | 1 | HCG08270 | Spacer (0.1mm) | |
| | 2 | HMF08074 | Head spacer | |
| | 3 | WPAA08000 | Plain washer (M8) | |
| | 4 | WSAA08000 | Spring lock washer (M8) | |
| | 5 | SCAA08025 | Hexagon socket head cap screw (M8x25) | |
| | 6 | SSAA05008 | Hexagon socket set screw (M5x8) | |
| | 7 | HMF08172 | Lower roller pin | |
| | 8 | MPB00240 | Bearing (LF1060ZZ) | |
| | 9 | M0408484 | Bearing case | |
| | 10 | MPR00280 | DIN-ring (G-6) | |
| | 11 | SCAA05020 | Hexagon socket head cap screw (M5x20) | |
| | 12 | WSAA05000 | Spring lock washer (M5) | |
| | 13 | WPAA05000 | Plain washer (M5) | |
| | 14 | HCG08170 | Roller pin guide | |
| | 15 | HMF08062 | Upper roller pin | |
| | 16 | WPAA06000 | Plain washer (M6) | |
| | 17 | WSAA06000 | Spring lock washer (M6) | |
| | 18 | NHAA06000 | Hexagon nut (M6) | |
| | 19 | SCAA04010 | Hexagon socket head cap screw (M4x10) | |
| | 20 | WSAA04000 | Spring lock washer (M4) | |
| | 21 | WPBA04000 | Plain washer (M4) | |
| | 22 | WPAB04000 | Plain washer (M4) | |
| | 23 | WSAB04000 | Spring lock washer (M4) | |
| | 24 | C0408051 | Positioning pin | |
| | 25 | SCAA06020 | Hexagon socket head cap screw (M6x20) | |
| | 26 | →2a | Upper shaft (by model) | |
| | 27 | C0408040 | Fasten collar | |
| | 28 | C0408030 | Take-up lever cam fixing plate | |
| | 29 | HMF08270 | Take-up lever cam | |
| | 30 | HCG08150 | Cam lever shaft | |
| | 31 | HCG08220 | Take-up lever guide bar (for 1206B, 1204B type) | |
| | 32 | HMF08210 | Take-up lever base tape | |
| | 33 | SCAA05015 | Hexagon socket head cap screw (M5x15) | |
| | 34 | HMF08091 | Take-up lever guide base (left) | |
| | 35 | HMF08101 | Take-up lever guide base (right) | |
| | 36 | HMF08350 | Take-up lever guide bar (for 10 needle) | |
| | 36 | HMF08360 | Take-up lever guide bar (for 12 needle) | |
| | 37 | C0408065 | Cam lever ass'y | |
| | 38 | SSAA04006 | Hexagon socket set screw (M4x6) | |
| | 39 | HCG08160 | Cam lever shaft collar | |
| | 40 | HCG08390 | Fixed head B | |

NEEDLE BAR CHANGE UNIT

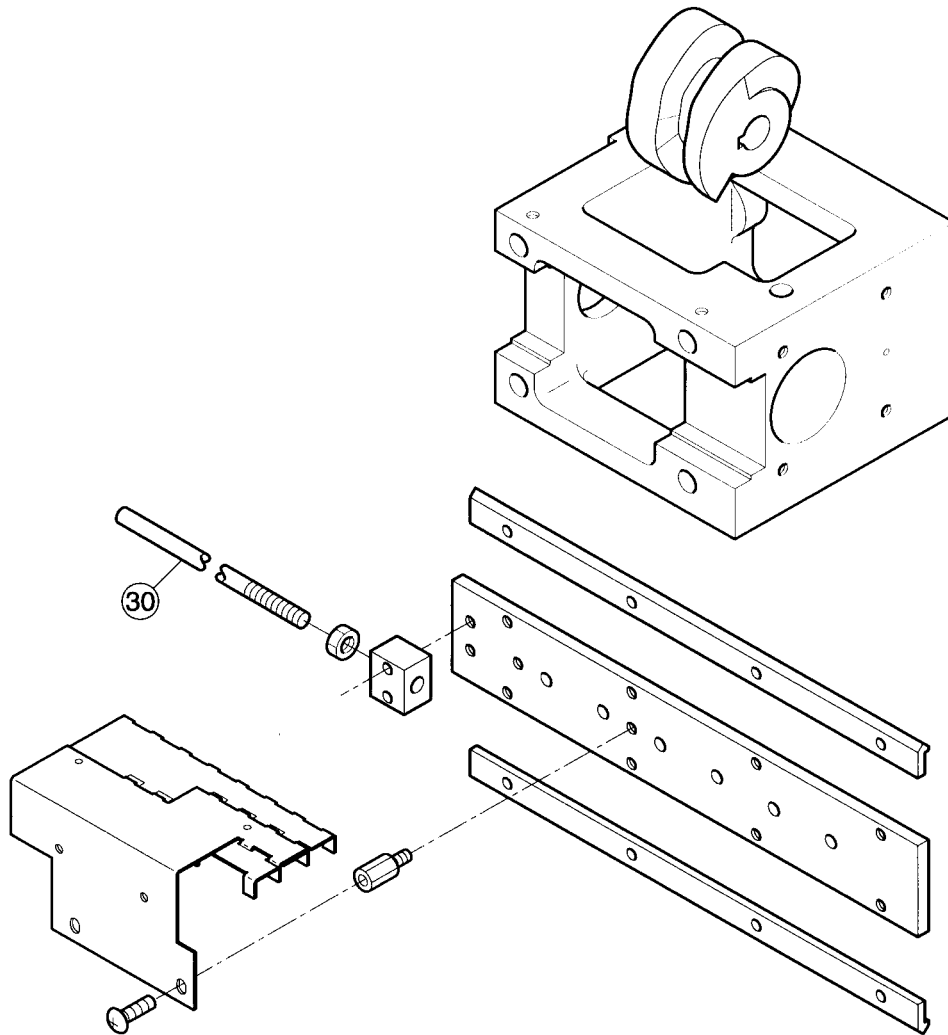
CGB3512 11a-1



NEEDLE BAR CHANGE UNIT

11a-1

| 組 Ass'y | 指図 Elt | 部品番号 PARTS No. | PARTS NAMES | CGB3512 NOTE / 備考 |
|------------|-----------|-------------------|---|----------------------|
| | 1 | SCAA08025 | Hexagon socket head cap screw (M8x25) | |
| | 2 | WSAA08000 | Spring lock washer (M8) | |
| | 3 | WPAA08000 | Plain washer (M8) | |
| | 4 | HCG10111 | Base | |
| | 5 | HCG10210 | Rail | |
| | 6 | MPB00230 | Cam follower (with nut, KR16XLL) | |
| | 7 | WSAA06000 | Spring lock washer (M6) | |
| | 8 | NHAA06000 | Hexagon nut (M6) | |
| | 9 | HCG10200 | Slide bar | |
| | 10 | WPAD05000 | Plain washer (M5) | |
| | 11 | WSAD05000 | Spring lock washer (M5) | |
| | 12 | SCAD05012 | Hexagon socket head cap screw (M5x12) | |
| | 13 | SPAA05050 | Pan head screw (cross recessed, M5x50) | |
| | 14 | WPAA05000 | Plain washer (M5) | |
| | 15 | HCG75021 | Motor | |
| | 16 | EPM00390 | Gear head | |
| | 17 | SSAA05008 | Hexagon socket set screw (M5x8) | |
| | 18 | MPK00010 | Key (both round, 5x5x47) | |
| | 19 | HMF10020 | Drive shaft ass'y | |
| | 20 | MPB00610 | Bearing (6905ZZ) | |
| | 21 | MPR00440 | JO-ring (JO-42) | |
| | 22 | HMF10060 | Collar | |
| | 23 | STAB05006 | Truss head screw (cross recessed, M5x6) | |
| | 24 | MPZ02020 | Spacer (BSB-515) | |
| | 26 | HCG10231 | Shaft holder | |
| | 27 | SCAA05025 | Hexagon socket head cap screw (M5x25) | |
| | 28 | WSAA05000 | Spring lock washer (M5) | |
| | 29 | M0404280 | Nut | |
| | 30 | →12a | Moving shaft (by model) | |
| | 31 | HMF10080 | Slit disc boss | |
| | 32 | HMF10072 | Slit disc | |
| | 33 | SPDD03006 | Pan head screw (cross recessed, M3x6) | |
| | 34 | NHAB12000 | Hexagon nut (M12) | |
| | 35 | WPAB14000 | Plain washer (M14) | |
| | 36 | MPB00220 | Bearing (6002ZZ) | |
| | 37 | MPR00070 | C-ring (C-32) | |
| | 38 | M0410082 | Collar A | |
| | 39 | MPS00050 | Conical spring | |
| | 42 | M0410070 | grooved cam | |
| | 43 | SSAA04008 | Hexagon socket set screw (M4x8) | |
| | 44 | HMF10152 | Upper pin | |
| | 45 | HMF10172 | Lower pin | |
| | 46 | MPB00240 | Bearing (LF1060ZZ) | |
| | 47 | M0408484 | Bearing case | |
| | 48 | MPR00280 | DIN-ring (G-6) | |
| | 49 | HMG10140 | Needle bar position detecting plate | |
| | 50 | HCG83181 | Needle bar position detecting board ass'y | |

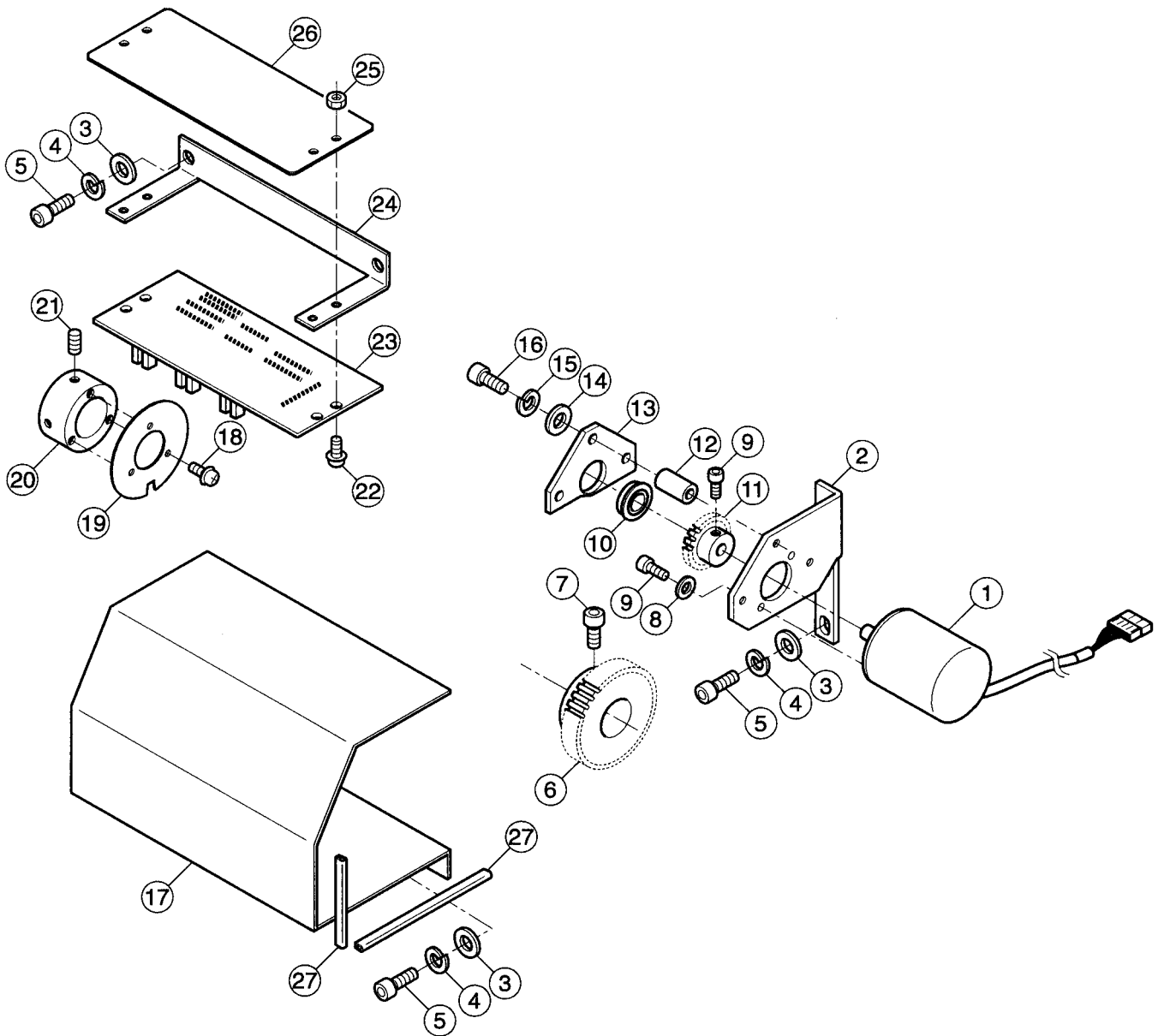


NEEDLE BAR CHANGE UNIT

12a-1

CGB8601

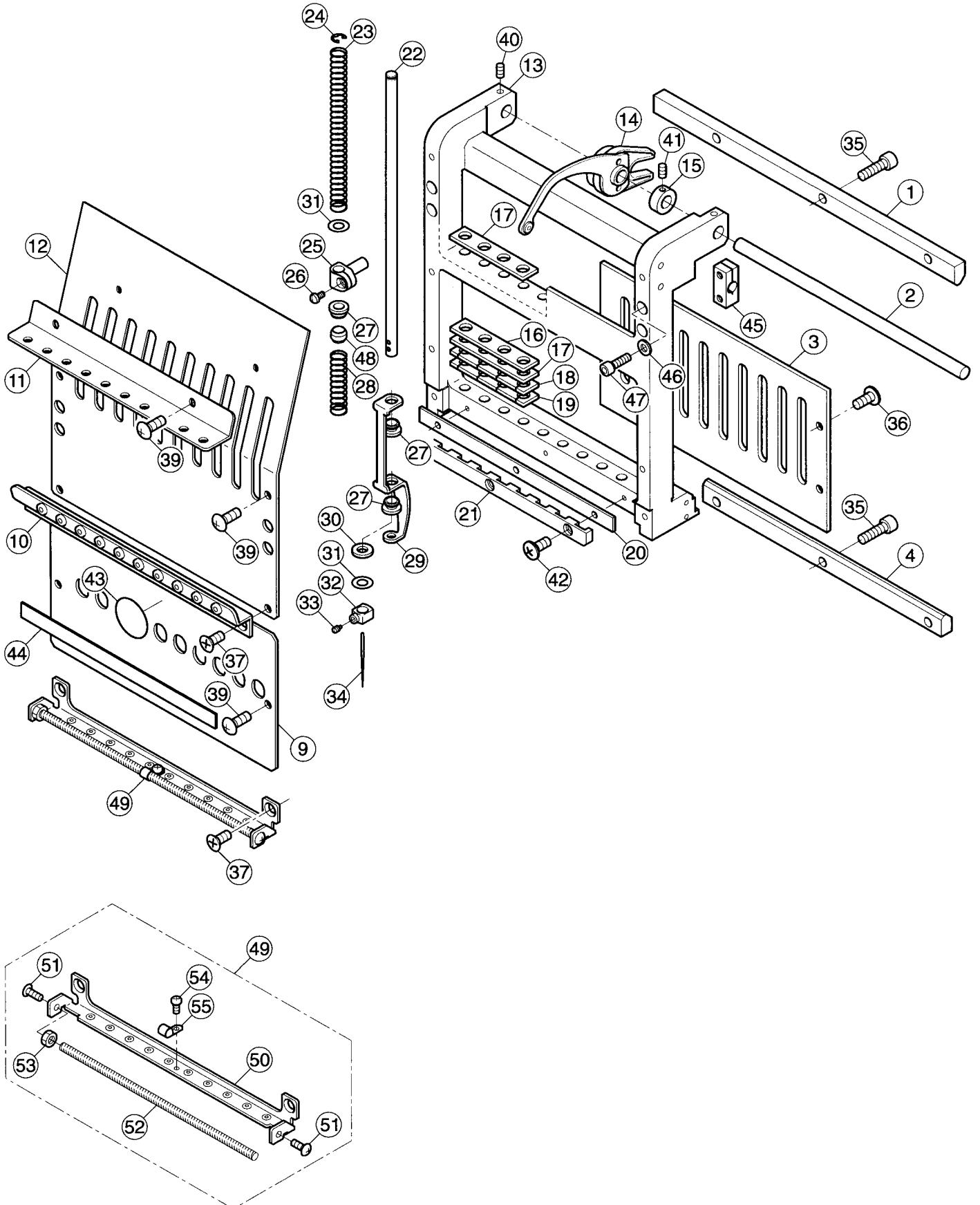
| 指図 / EIt PARTS NAMES | | 30 Moving shaft | | |
|-------------------------|-------------|--------------------|--|--|
| 機種 MODEL | 1 2 0 6 B | HMF06220 | | |
| | 1 0 0 6 B | HMF06220 | | |
| | X 1 2 0 4 B | HMF06200 | | |
| | X 1 0 0 4 B | HMF06200 | | |
| | 1 2 0 4 B | HCG06050 | | |
| | 1 0 0 4 B | HCG06050 | | |
| | 1 2 0 2 B | HCG06061 | | |
| | 1 0 0 2 B | HCG06061 | | |



TIMING DETECTING UNIT

13a-1

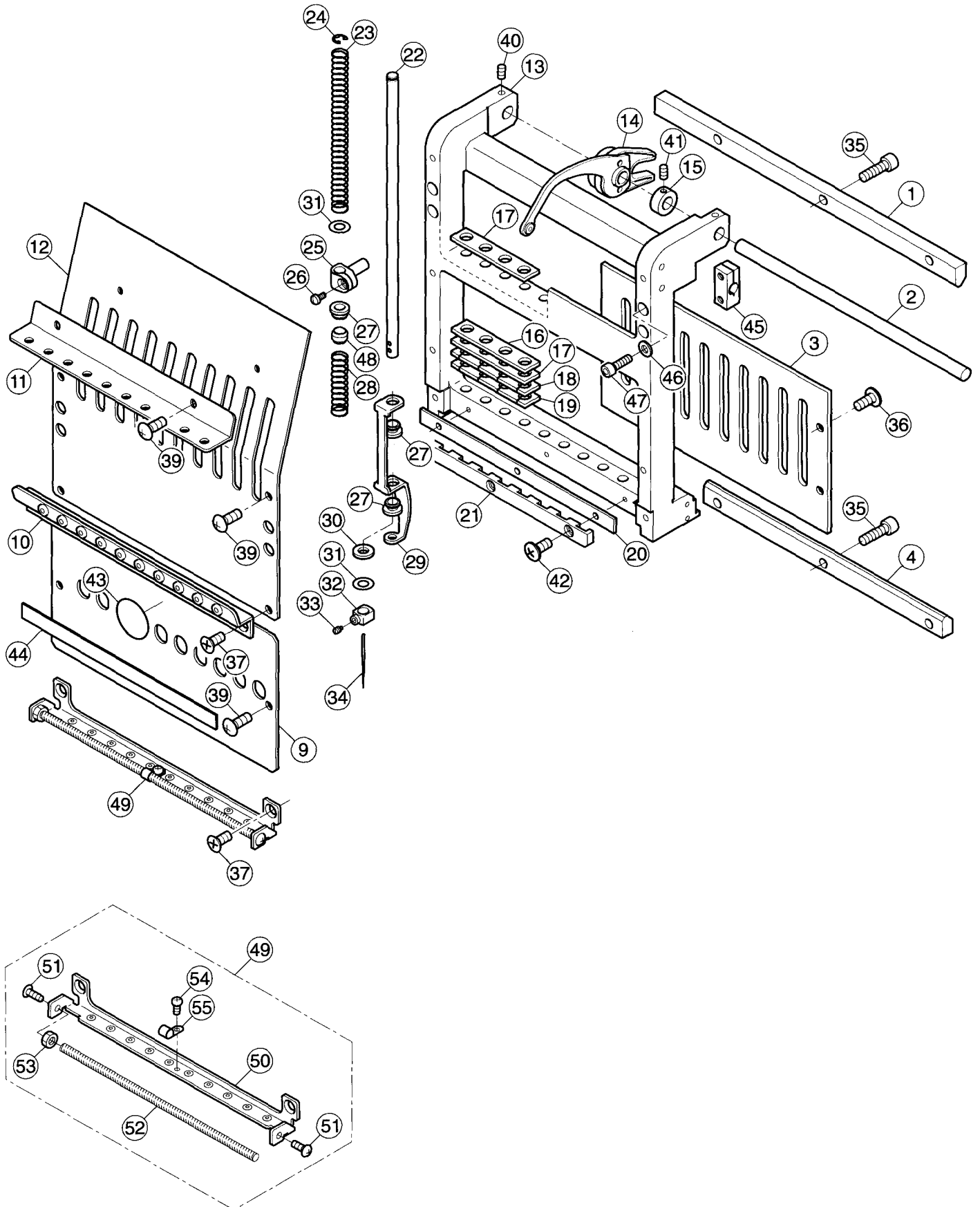
| 組 Ass'y | 指図 El't | 部品番号 PARTS No. | PARTS NAMES | CGB0623 NOTE / 備考 |
|------------|------------|-------------------|---------------------------------------|----------------------|
| | 1 | HCG75001 | Rotary encoder | |
| | 2 | HMF10194 | Encoder bracket A | |
| | 3 | WPAA05000 | Plain washer (M5) | |
| | 4 | WSAA05000 | Spring lock washer (M5) | |
| | 5 | SCAA05012 | Hexagon socket head cap screw (M5x12) | |
| | 6 | HMF10210 | Encoder drive gear A | |
| | 7 | SCAA04010 | Hexagon socket head cap screw (M4x10) | |
| | 8 | WPAA03000 | Plain washer (M3) | |
| | 9 | SCAA03008 | Hexagon socket head cap screw (M3x8) | |
| | 10 | MPB00620 | Bearing (LF1680ZZ) | |
| | 11 | HMF10221 | Encoder drive gear B | |
| | 12 | HMF10230 | Encoder collar | |
| | 13 | HMF10203 | Encoder bracket B | |
| | 14 | WPAA04000 | Plain washer (M4) | |
| | 15 | WSAA04000 | Spring lock washer (M4) | |
| | 16 | SCAA04028 | Hexagon socket head cap screw (M4x28) | |
| | 17 | HCG10080 | Encoder cover | |
| | 18 | SPCD03006 | Pan head screw (cross recessed, M3x6) | |
| | 19 | HMF10610 | Detecting slit disc | |
| | 20 | C0402041 | Slit disc boss | |
| | 21 | SSAA05008 | Hexagon socket set screw (M5x8) | |
| | 22 | SPDD03008 | Pan head screw (cross recessed, M3x8) | |
| | 23 | HMF83050 | Timing detecting board ass'y | |
| | 24 | HMF10251 | Board bracket | |
| | 25 | NHAD03000 | Hexagon nut (M3) | |
| | 26 | C0402070 | Board cover | |
| | 27 | HCG10470 | Edging | |



MOVING HEAD 1

14a-1

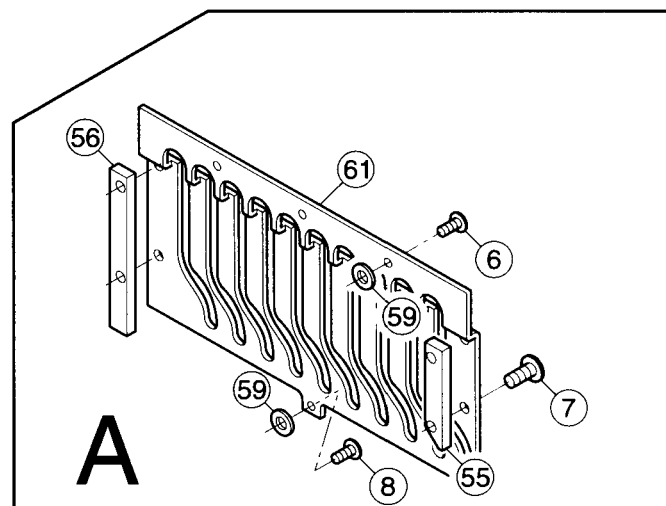
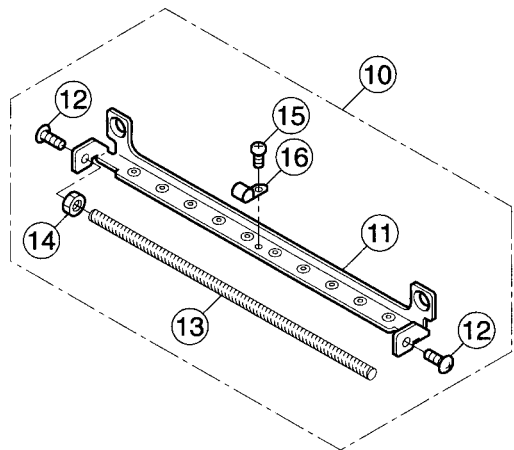
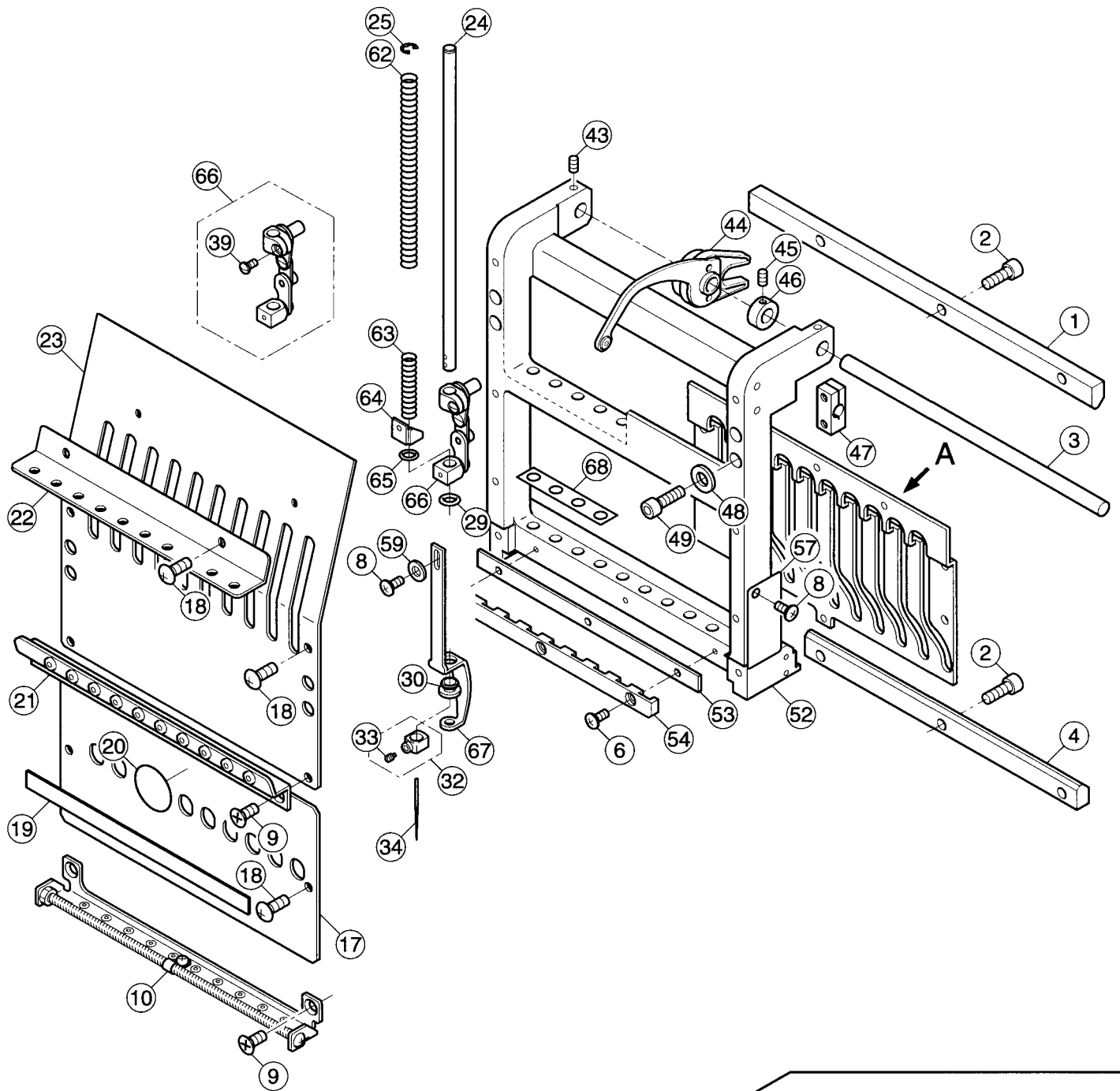
| 組 Ass'y | 指図 El't | 部品番号 PARTS No. | PARTS NAMES | CGB1828 NOTE / 備考 |
|------------|------------|-------------------|---|----------------------|
| | 1 | HCG12011 | Upper rail (for 10 needle) | |
| | 1 | HCG12101 | Upper rail (for 12 needle) | |
| | 2 | HMG12070 | Take-up lever shaft (for 10 needle) | |
| | 2 | HMG12270 | Take-up lever shaft (for 12 needle) | |
| | 3 | HMG12092 | Needle bar boss check plate (for 10 needle) | |
| | 3 | HMG12291 | Needle bar boss check plate (for 12 needle) | |
| | 4 | HMG12111 | Lower rail (for 10 needle) | |
| | 4 | HMG12301 | Lower rail (for 12 needle) | |
| | 9 | HMG12131 | Lower front panel (for 10 needle) | |
| | 9 | HMG12311 | Lower front panel (for 12 needle) | |
| | 10 | HMG12210 | Thread guide plate B ass'y (for 10 needle) | |
| | 10 | HMG12340 | Thread guide plate B ass'y (for 12 needle) | |
| | 11 | HCG12030 | Thread guide plate A (for 10 needle) | |
| | 11 | HCG12110 | Thread guide plate A (for 12 needle) | |
| | 12 | HCG12060 | Upper front panel (for 10 needle) | |
| | 12 | HCG12140 | Upper front panel (for 12 needle) | |
| | 13 | HMG13120 | Moving head (for 10 needle) | |
| | 13 | HMG13110 | Moving head (for 12 needle) | |
| | 14 | HMF12812 | Take-up lever ass'y | |
| | 15 | HMF12152 | Collar | |
| | 16 | HMG12592 | Urethane sheet | |
| | 17 | HMG12582 | Pressure foot felt (3.0mm) | |
| | 18 | M0412500 | Pressure foot felt (1.0mm) | |
| | 18 | M0412510 | Pressure foot felt (1.5mm) | |
| | 18 | M0412610 | Pressure foot felt (2.0mm) | |
| | 19 | HMF12290 | Adjusting sheet A | |
| | 20 | HMG12080 | Pressure foot sheet (for 10 needle) | |
| | 20 | HMG12280 | Pressure foot sheet (for 12 needle) | |
| | 21 | HMG12480 | Pressure foot guide (for 10 needle) | |
| | 21 | HMG12490 | Pressure foot guide (for 12 needle) | |
| | 22 | M0412164 | Needle bar | |
| | 23 | HMF12090 | Needle bar spring (upper) | |
| | 24 | MPR00080 | E-ring (E-5) | |
| | 25 | M0412812 | Needle bar boss | |
| | 26 | M0412200 | Screw for needle bar boss | |
| | 27 | HMF12112 | Bushing | |
| | 28 | HCM12011 | Needle bar spring (lower) | |
| | 29 | HMG12750 | Pressure foot | |
| | 30 | HMG12261 | Needle holder cushion | |
| | 31 | WPBD06000 | Plain washer (M6) | |
| | 32 | HMG12200 | Needle holder B | |
| | 33 | HMG12230 | Screw for needle holder | |
| | 34 | MPZ00150 | Needle (#11) | |



MOVING HEAD 1

14a-2

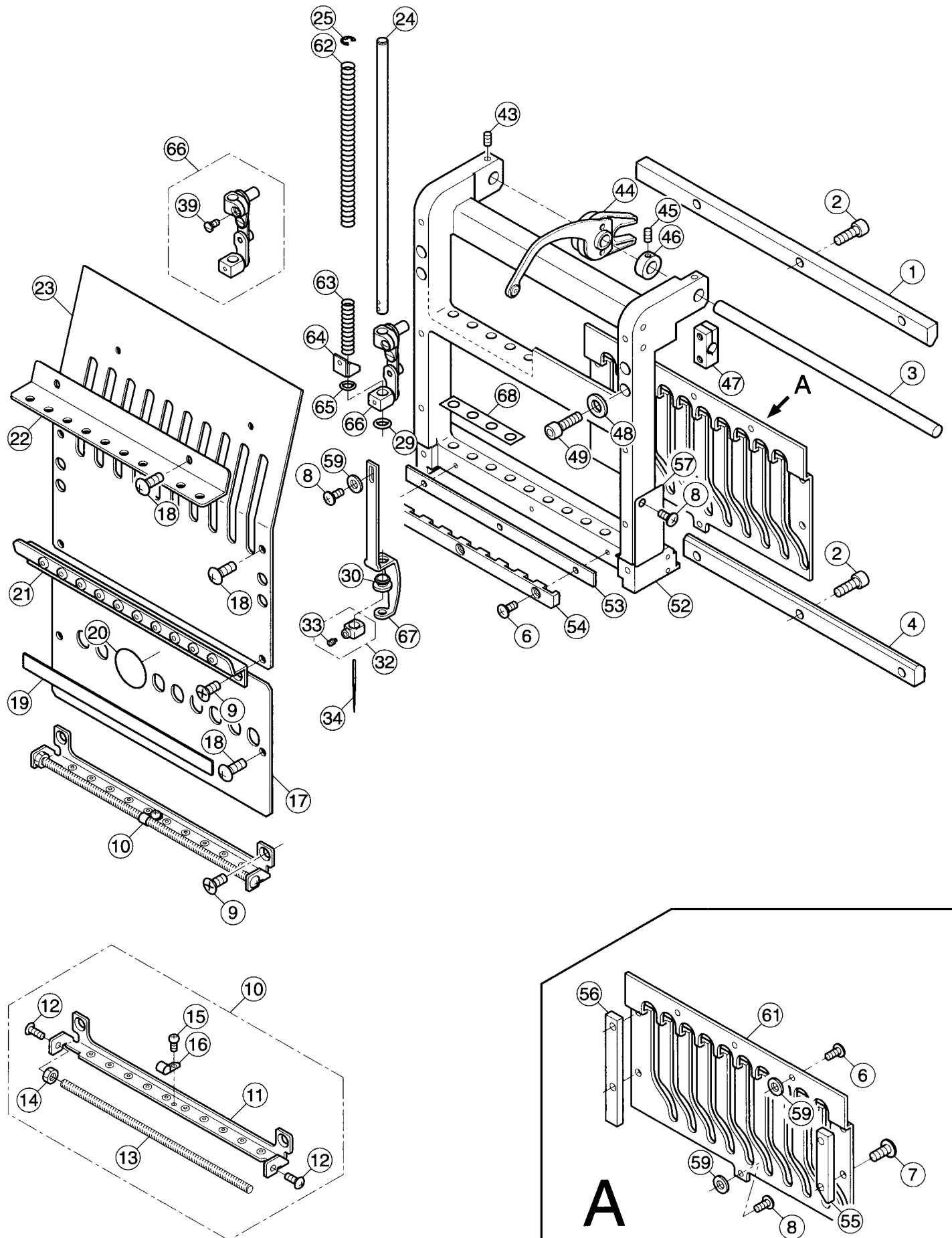
| 組 Ass'y | 指図 El't | 部品番号 PARTS No. | PARTS NAMES | CGB9827 NOTE / 備考 |
|------------|------------|-------------------|--|----------------------|
| | 35 | SCAA04015 | Hexagon socket head cap screw (M4x15) | |
| | 36 | SBAB04006 | Binding head screw (M4x6) | |
| | 37 | SGAB04008 | Flat head screw (cross recessed head, M4x8) | |
| | 39 | STAB04008 | Truss head screw (cross recessed, M4x8) | |
| | 40 | SSAA04004 | Hexagon socket set screw (M4x4) | |
| | 41 | SSAA03006 | Hexagon socket set screw (M3x6) | |
| | 42 | SBAD03008 | Binding head screw (M3x8) | |
| | 43 | - | Number sticker | |
| | 44 | HMG12470 | Thread holding rubber B (for 10, 12 needle) | |
| | 45 | HMF12310 | Fasten block | |
| | 46 | WPBA04000 | Plain washer (M4) | |
| | 47 | SCCA04025 | Hexagon socket head cap screw (M4x25) | |
| | 48 | HMG12430 | Guide tube | |
| | 49 | HMG12700 | Lower thread guide plate ass'y (for 10 needle) | |
| | 49 | HMG12690 | Lower thread guide plate ass'y (for 12 needle) | |
| | 50 | HMG12661 | Lower thread guide plate (for 10 needle) | |
| | 50 | HMG12651 | Lower thread guide plate (for 12 needle) | |
| | 51 | STAB04012 | Truss head screw (cross recessed, M4x12) | |
| | 52 | HMG12620 | Spring (for 10 needle) | |
| | 52 | HMG12610 | Spring (for 12 needle) | |
| | 53 | NHAB04000 | Hexagon nut (M4) | |
| | 54 | SPAB03005 | Pan head screw (cross recessed, M3x5) | |
| | 55 | HMG12600 | Spring bracket | |



MOVING HEAD 1

14a-1

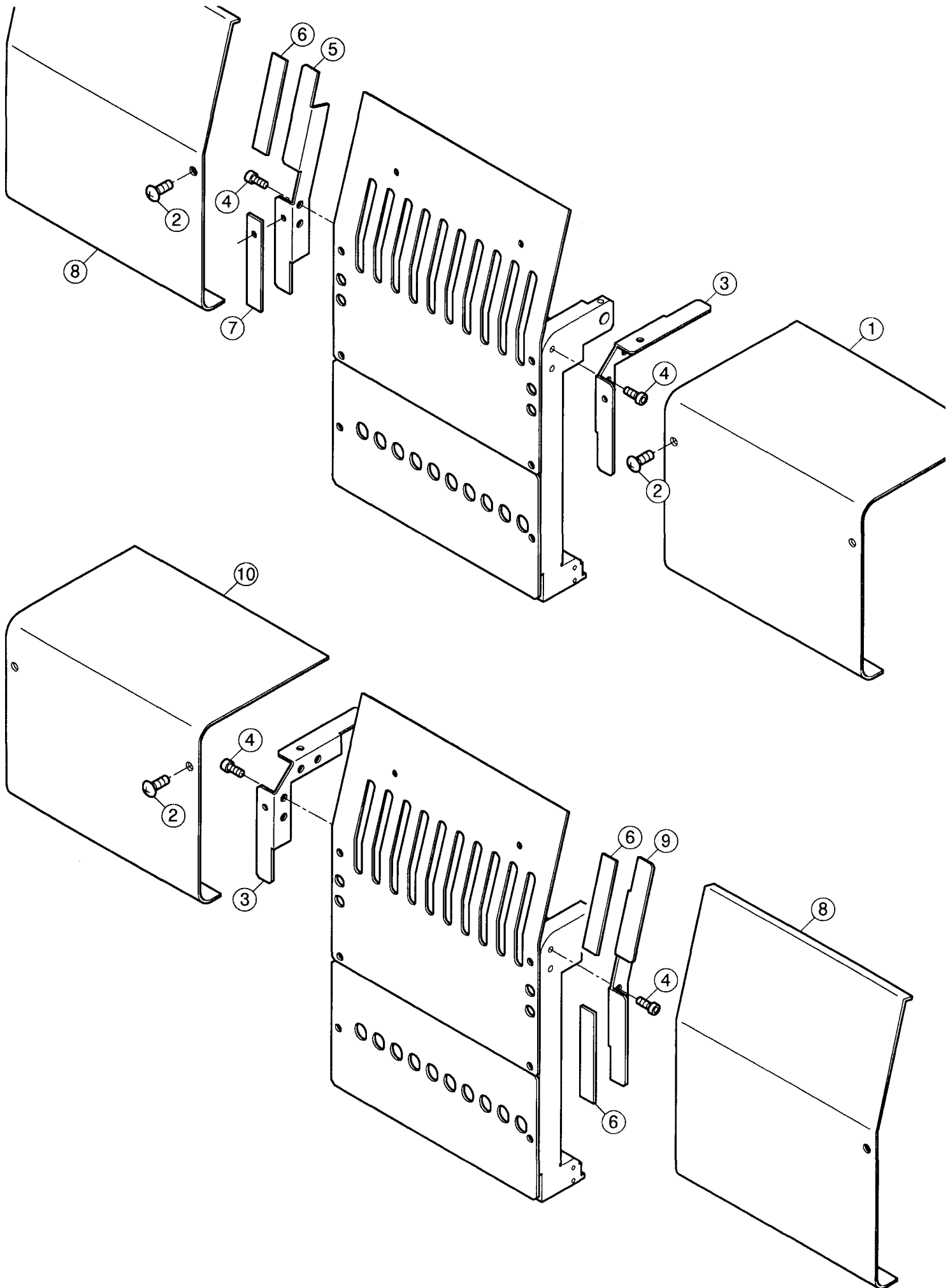
| 組 | 指図 | 部品番号 | | CGB1118ss |
|-------|------|-----------|--|-----------|
| Ass'y | El't | PARTS No. | PARTS NAMES | NOTE / 備考 |
| | 1 | HCG12011 | Upper rail (for 10 needle) | |
| | 1 | HCG12101 | Upper rail (for 12 needle) | |
| | 2 | SCAA04015 | Hexagon socket head cap screw (M4x15) | |
| | 3 | HMG12070 | Take-up lever shaft (for 10 needle) | |
| | 3 | HMG12270 | Take-up lever shaft (for 12 needle) | |
| | 4 | HMG12111 | Lower rail (for 10 needle) | |
| | 4 | HMG12301 | Lower rail (for 12 needle) | |
| | 6 | SBAD03008 | Binding head screw (M3x8) | |
| | 7 | SBAD04014 | Binding head screw (M4x14) | |
| | 8 | SBBD03005 | Binding head screw (M3x5) | |
| | 9 | SGAB04008 | Flat head screw (cross recessed head, M4x8) | |
| | 10 | HMG12700 | Lower thread guide plate ass'y (for 10 needle) | |
| | 10 | HMG12690 | Lower thread guide plate ass'y (for 12 needle) | |
| 10* | 11 | HMG12661 | Lower thread guide plate (for 10 needle) | |
| 10* | 11 | HMG12651 | Lower thread guide plate (for 12 needle) | |
| 10* | 12 | STAB04012 | Truss head screw (cross recessed, M4x12) | |
| 10* | 13 | HMG12620 | Spring (for 10 needle) | |
| 10* | 13 | HMG12610 | Spring (for 12 needle) | |
| 10* | 14 | NHAB04000 | Hexagon nut (M4) | |
| 10* | 15 | SPAB03005 | Pan head screw (cross recessed, M3x5) | |
| 10* | 16 | HMG12600 | Spring bracket | |
| | 17 | HMG12131 | Lower front panel (for 10 needle) | |
| | 17 | HMG12311 | Lower front panel (for 12 needle) | |
| | 18 | STAB04008 | Truss head screw (cross recessed, M4x8) | |
| | 19 | HMG12470 | Thread holding rubber B (for 10, 12 needle) | |
| | 20 | - | Number sticker | |
| | 21 | HMG12210 | Thread guide plate B ass'y (for 10 needle) | |
| | 21 | HMG12340 | Thread guide plate B ass'y (for 12 needle) | |
| | 22 | HCG12030 | Thread guide plate A (for 10 needle) | |
| | 22 | HCG12110 | Thread guide plate A (for 12 needle) | |
| | 23 | HCG12060 | Upper front panel (for 10 needle) | |
| | 23 | HCG12140 | Upper front panel (for 12 needle) | |
| | 24 | M0412164 | Needle bar | |
| | 25 | MPR00080 | E-ring (E-5) | |
| | 29 | MPR00500 | O-ring (P-7) | |
| | 30 | HMF12112 | Bushing | |
| | 32 | HMG12200 | Needle holder B | |
| 32* | 33 | HMG12230 | Screw for needle holder | |
| | 34 | MPZ00150 | Needle (#11) | |
| 66* | 39 | M0412200 | Screw for needle bar boss | |
| | 43 | SSAA04004 | Hexagon socket set screw (M4x4) | |
| | 44 | HMF12812 | Take-up lever ass'y | |
| | 45 | SSAA03006 | Hexagon socket set screw (M3x6) | |
| | 46 | HMF12152 | Collar | |
| | 47 | HMF12310 | Fasten block | |
| | 48 | WPBA04000 | Plain washer (M4) | |
| | 49 | SCCA04025 | Hexagon socket head cap screw (M4x25) | |



MOVING HEAD 1

14a-2

| 組 | 指図 | 部品番号 | | CGB2501ss |
|-------|------|-----------|-------------------------------------|-----------|
| Ass'y | El't | PARTS No. | PARTS NAMES | NOTE / 備考 |
| | 52 | HMG13120 | Moving head (for 10 needle) | |
| | 52 | HMG13110 | Moving head (for 12 needle) | |
| | 53 | HMG12080 | Pressure foot sheet (for 10 needle) | |
| | 53 | HMG12280 | Pressure foot sheet (for 12 needle) | |
| | 54 | HMG12480 | Pressure foot guide (for 10 needle) | |
| | 54 | HMG12490 | Pressure foot guide (for 12 needle) | |
| | 55 | HMG13590 | Spacer (right) | |
| | 56 | HMG13600 | Spacer (left) | |
| | 57 | HMG13580 | Side cover | |
| | 59 | WPAD03000 | Plain washer (M3) | |
| | 61 | HMG13710 | Guide plate (for 10 needle) | |
| | 61 | HMG13720 | Guide plate (for 12 needle) | |
| | 62 | M0412172 | Needle bar spring 1 | |
| | 63 | HMG13680 | Spring | |
| | 64 | HMG13540 | Pressure foot bracket | |
| | 65 | MPR00510 | O-ring | |
| | 66 | HMG13701 | Link ass'y | |
| | 67 | HMG13630 | Pressure foot | |
| | 68 | HMG13670 | Pressure foot felt (0.6mm) | |



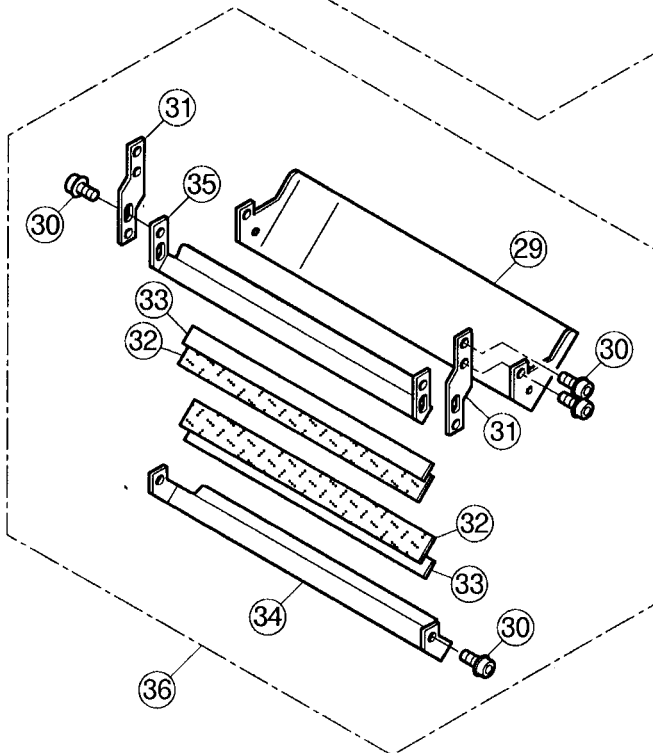
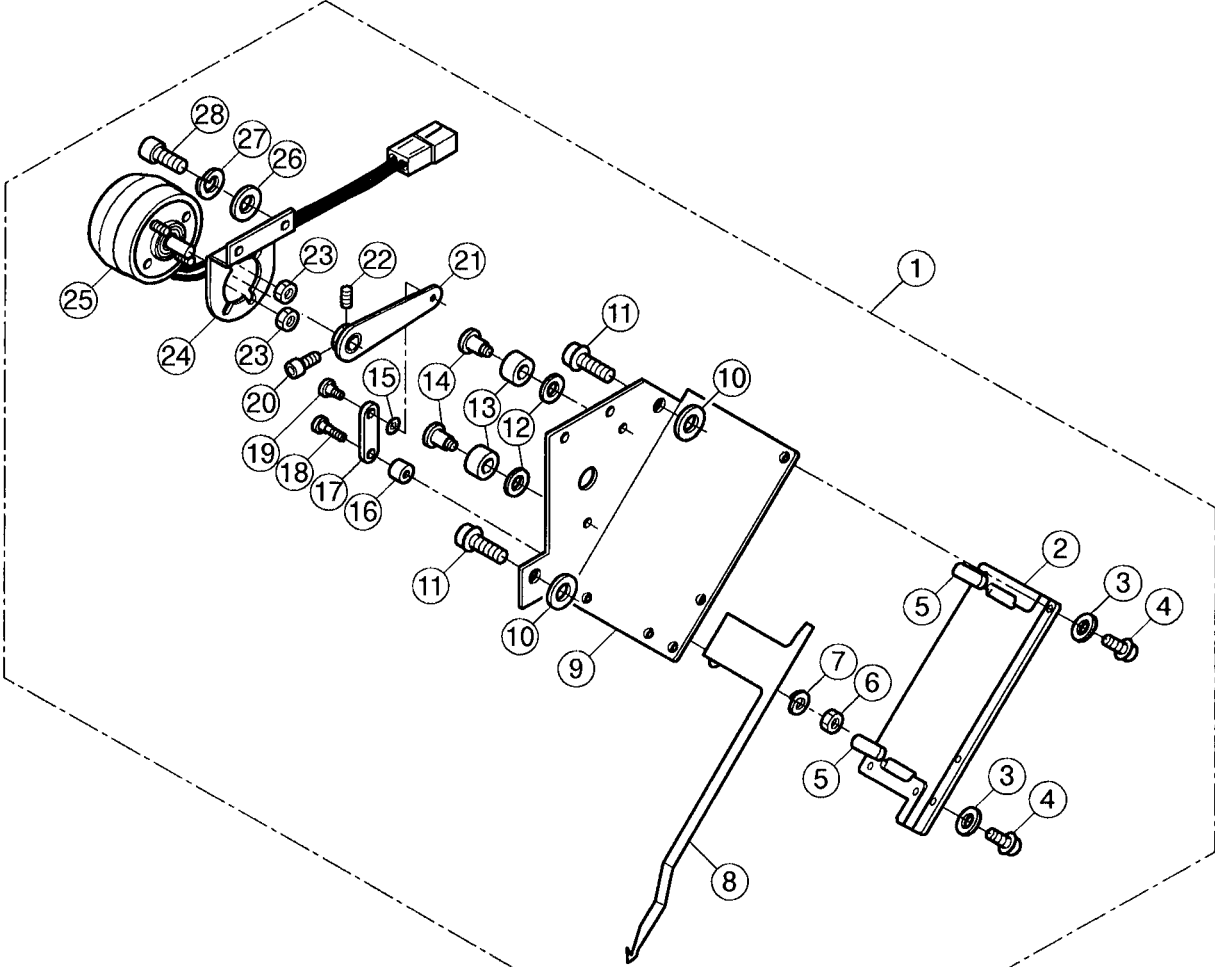
MOVING HEAD 2

14b-1

| 組 | 指図 | 部品番号 | | CGB9827 |
|-------|------|-----------|---|-----------|
| Ass'y | El't | PARTS No. | PARTS NAMES | NOTE / 備考 |
| | 1 | →1a | Head cover (right) | |
| | 2 | STAB04008 | Truss head screw (cross recessed, M4x8) | |
| | 3 | HCG13050 | Head cover bracket (both ends) | |
| | 4 | SCAA04008 | Hexagon socket head cap screw (M4x8) | |
| | 5 | HCG13070 | Head cover bracket (left) | |
| | 6 | HMF13302 | Cover magnet | |
| | 7 | HMF13410 | Cover magnet B | |
| | 8 | →2a | Head cover, middle (by model) | |
| | 9 | HCG13060 | Head cover bracket (right) | |
| | 10 | →1a | Head cover (left) | |

THREAD CATCHER

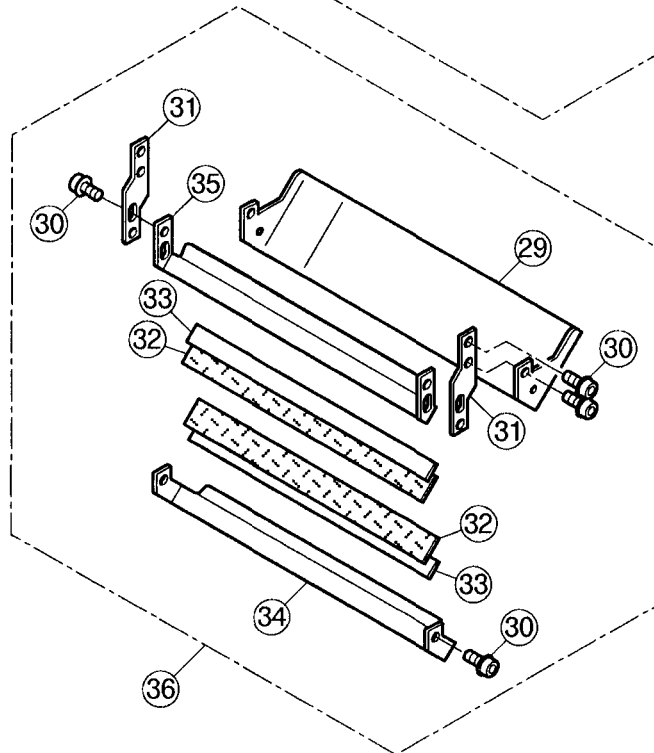
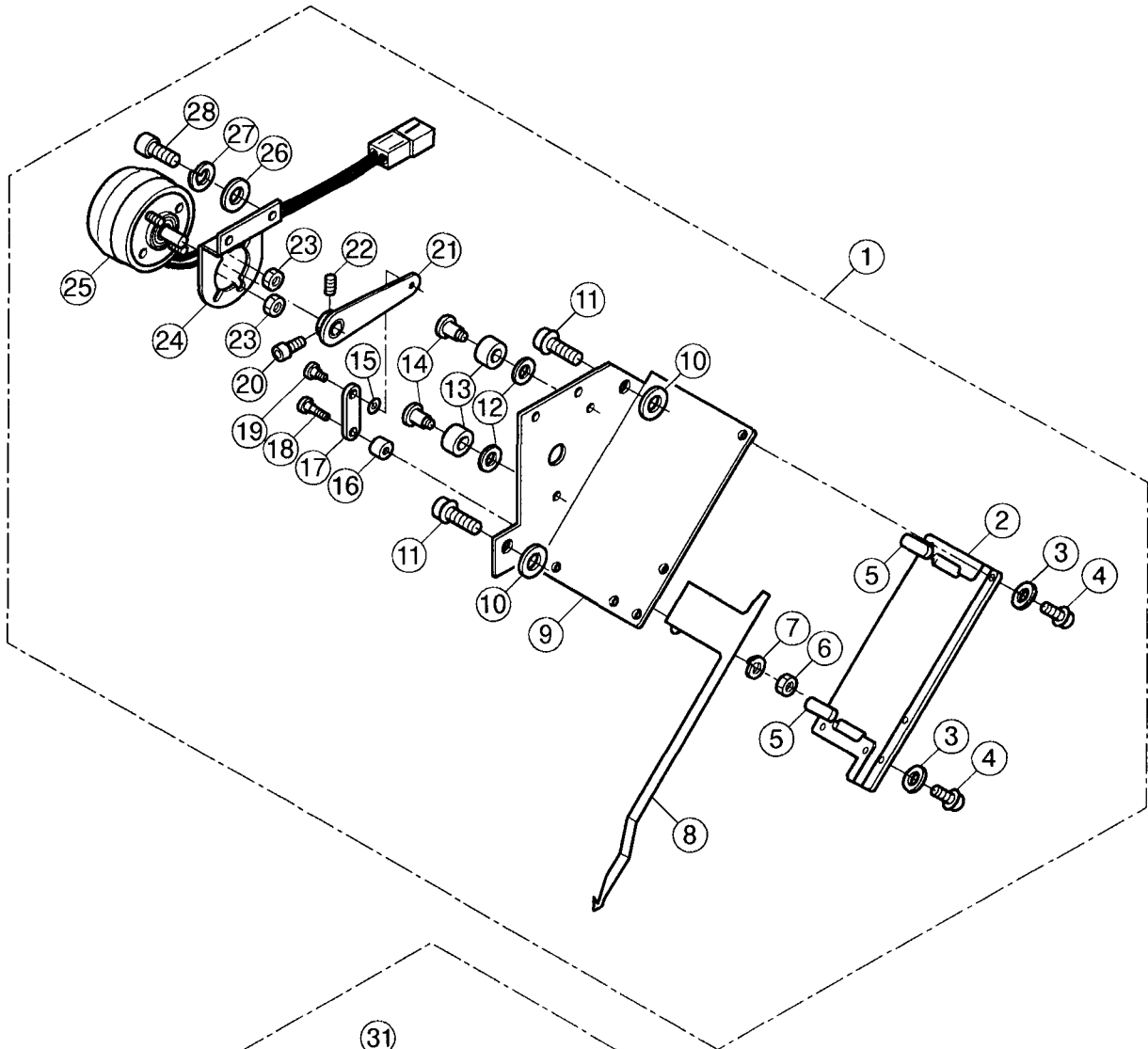
CGB8601 15a-1



THREAD CATCHER

15a-1

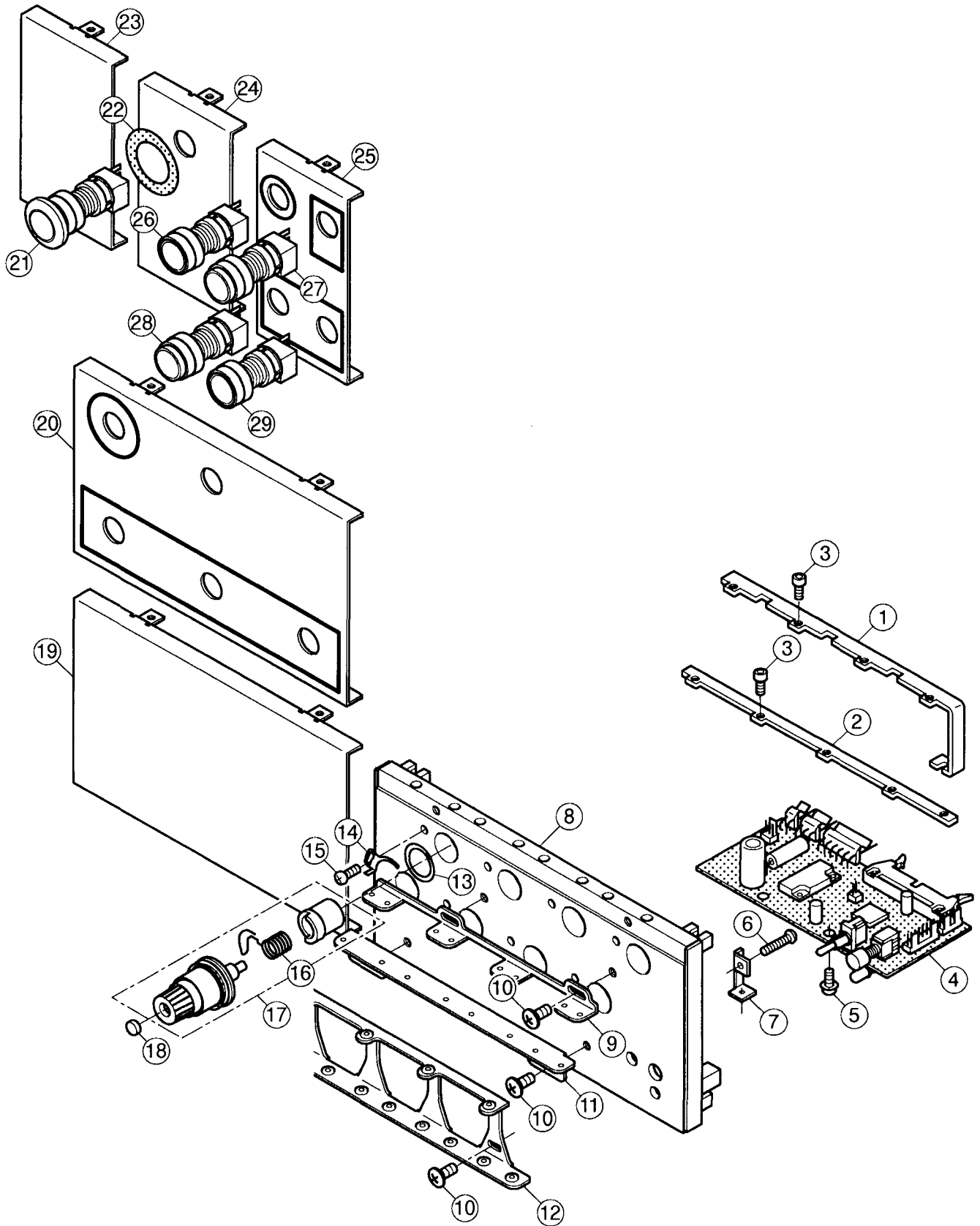
| 組 Ass'y | 指図 El't | 部品番号 PARTS No. | PARTS NAMES | CGB8601 NOTE / 備考 |
|------------|------------|-------------------|--|----------------------|
| | 1 | HCM914120 | Thread catcher ass'y | |
| | 2 | HMF14170 | Guide plate B | |
| | 3 | WPAB03000 | Plain washer (M3) | |
| | 4 | SPDB03008 | Pan head screw (cross recessed, M3x8) | |
| | 5 | M0414180 | Cushion | |
| | 6 | NHAA03000 | Hexagon nut (M3) | |
| | 7 | WSAA03000 | Spring lock washer (M3) | |
| | 8 | C0414055 | Hook | |
| | 9 | HCM14012 | Bracket | |
| | 10 | WPBA06000 | Plain washer (M6) | |
| | 11 | SCBA05008 | Hexagon socket head cap screw with flange (M5x8) | |
| | 12 | WPAD04000 | Plain washer (M4) | |
| | 13 | M0412241 | Plastic ring | |
| | 14 | M0414080 | Hinge screw B | |
| | 15 | M0414150 | Washer for hinge screw | |
| | 16 | C0414080 | Spacer for hinge screw | |
| | 17 | M0414162 | Connecting plate | |
| | 18 | C0414070 | Hinge screw | |
| | 19 | M0414142 | Hinge screw A | |
| | 20 | SCAA03006 | Hexagon socket head cap screw (M3x6) | |
| | 21 | M0414100 | Actuating plate | |
| | 22 | SSAA03006 | Hexagon socket set screw (M3x6) | |
| | 23 | NHCC04000 | Hexagon nut (M4) | |
| | 24 | M0414111 | Solenoid fixing plate | |
| | 25 | M0414121 | Solenoid | |
| | 26 | WPAA04000 | Plain washer (M4) | |
| | 27 | WSAA04000 | Spring lock washer (M4) | |
| | 28 | SCAA04006 | Hexagon socket head cap screw (M4x6) | |



THREAD CATCHER

15a-2

| 組 Ass'y | 指図 El't | 部品番号 PARTS No. | PARTS NAMES | CGB8601 NOTE / 備考 |
|------------|------------|-------------------|--|----------------------|
| | 29 | HCM14110 | Hook guard (for 7 needle) | |
| | 29 | HCM14120 | Hook guard (for 8 needle) | |
| | 29 | HCG14040 | Hook guard (for 10 needle) | |
| | 29 | HCG14100 | Hook guard (for 12 needle) | |
| | 30 | SCBA03006 | Hexagon socket head cap screw with flange (M3x6) | |
| | 31 | HCM14030 | Holder guide | |
| | 32 | HMF14430 | Magic tape (for 7 needle) | |
| | 32 | HMF14440 | Magic tape (for 8 needle) | |
| | 32 | HCG14030 | Magic tape (for 10 needle) | |
| | 32 | HCG14080 | Magic tape (for 12 needle) | |
| | 33 | HMF14460 | Adhesive tape (for 7 needle) | |
| | 33 | HMF14470 | Adhesive tape (for 8 needle) | |
| | 33 | HCG14050 | Adhesive tape (for 10 needle) | |
| | 33 | HCG14090 | Adhesive tape (for 12 needle) | |
| | 34 | HCM14070 | Holder (lower) (for 7 needle) | |
| | 34 | HCM14060 | Holder (lower) (for 8 needle) | |
| | 34 | HCG14020 | Holder (lower) (for 10 needle) | |
| | 34 | HCG14070 | Holder (lower) (for 12 needle) | |
| | 35 | HCM14050 | Holder (upper) (for 7 needle) | |
| | 35 | HCM14040 | Holder (upper) (for 8 needle) | |
| | 35 | HCG14010 | Holder (upper) (for 10 needle) | |
| | 35 | HCG14060 | Holder (upper) (for 12 needle) | |
| | 36 | HCM914130 | Thread holder ass'y (for 7 needle) | |
| | 36 | HCM914140 | Thread holder ass'y (for 8 needle) | |
| | 36 | HCM914150 | Thread holder ass'y (for 10 needle) | |
| | 36 | HCM914160 | Thread holder ass'y (for 12 needle) | |



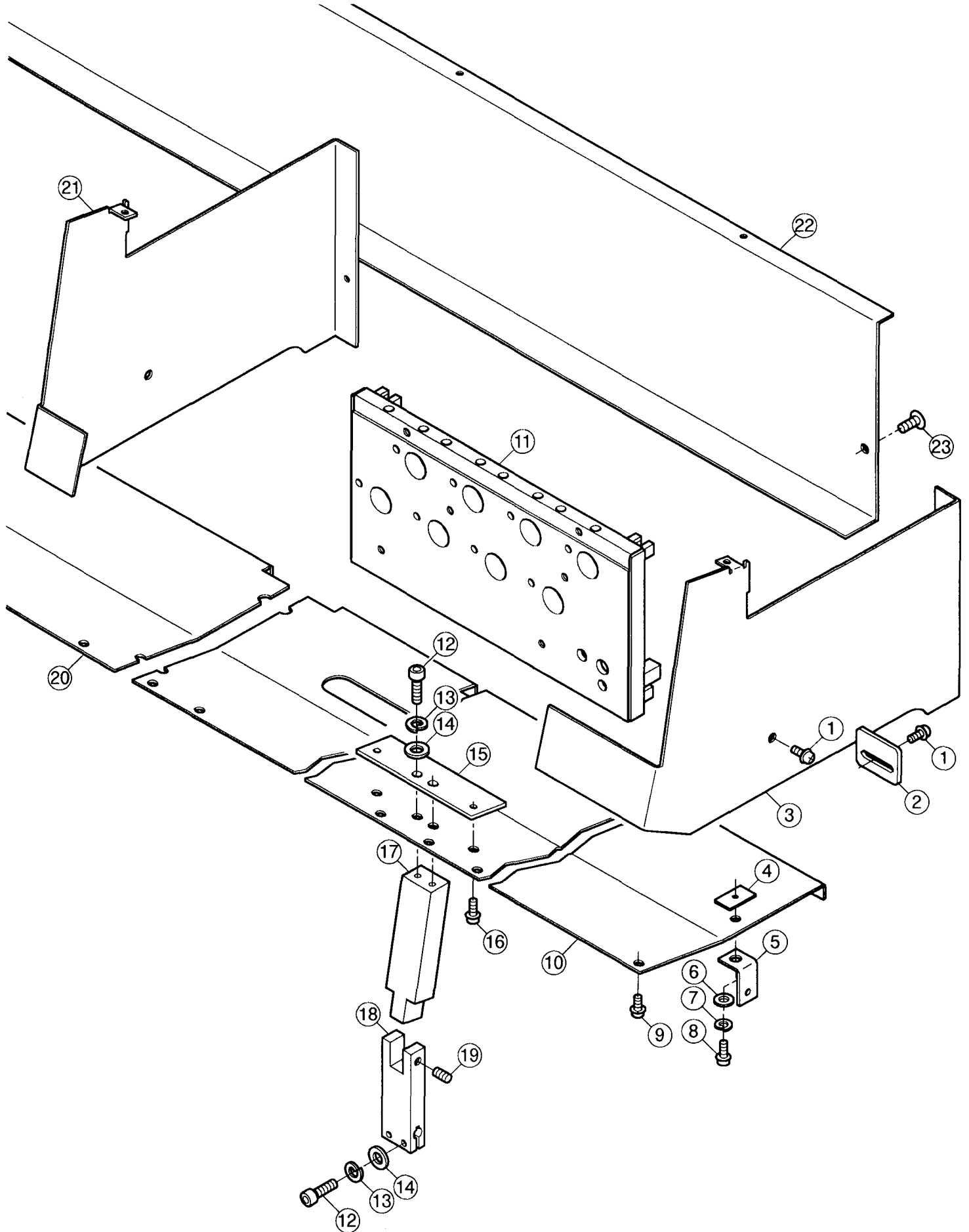
THREAD TENSION UNIT 1

16a-1

| 組 Ass'y | 指図 El't | 部品番号 PARTS No. | PARTS NAMES | CGB1131 NOTE / 備考 |
|------------|------------|-------------------|---|----------------------|
| | 1 | HMG17060 | Thread tension fixer A (for 10 needle) | |
| | 1 | HMG17180 | Thread tension fixer A (for 12 needle) | |
| | 2 | HMG17070 | Thread tension fixer B (for 10 needle) | |
| | 2 | HMG17190 | Thread tension fixer B (for 12 needle) | |
| | 3 | SCAD03008 | Hexagon socket head cap screw (M3x8) | |
| | 4 | M0483228 | Thread detecting board ass'y | |
| | 5 | SPDD03006 | Pan head screw (cross recessed, M3x6) | |
| | 6 | SMAC03008 | Pan head tapping screw (cross recessed head, 3x8) | |
| | 7 | M0416031 | Bracket for thread detecting board | |
| | 8 | HMG17041 | Thread tension bracket (for 10 needle) | |
| | 8 | HMG17050 | Thread tension bracket (for 12 needle) | |
| | 9 | HMG17080 | Upper thread guide (for 10 needle) | |
| | 10 | SBAB04008 | Binding head screw (M4x8) | |
| | 11 | HMG17090 | Lower thread guide (for 10 needle) | |
| | 12 | HMG17240 | Thread guide ass'y (for 12 needle) | |
| | 13 | HMF17820 | Isolation plate | |
| | 14 | HMF17870 | Adjusting plate | |
| | 15 | SPAC2E025 | Pan head screw (cross recessed, M2.5x25) | |
| 17* | 16 | M0416186 | Thread adjusting spring | |
| | 17 | HMF17840 | Thread tension ass'y | |
| | 18 | HMF17860 | Thread tension lid | |
| | 19 | →17a | Thread tension cover B (by model) | |
| | 20 | →17a | Thread tension cover (by model) | |
| | 21 | EPS00840 | Emergency stop switch | |
| | 22 | HMF51080 | Emergency stop sticker | |
| | 23 | →17a | Thread tension cover A (by model) | |
| | 24 | →17a | Thread tension cover B (by model) | |
| | 25 | →17a | Thread tension cover C (by model) | |
| | 26 | EPS00730 | Thread cut switch (blue) | |
| | 27 | EPS00720 | forward switch (yellow) | |
| | 28 | EPS00680 | Stop switch (black) | |
| | 29 | EPS00670 | Start switch (white) | |

THREAD TENSION UNIT 2

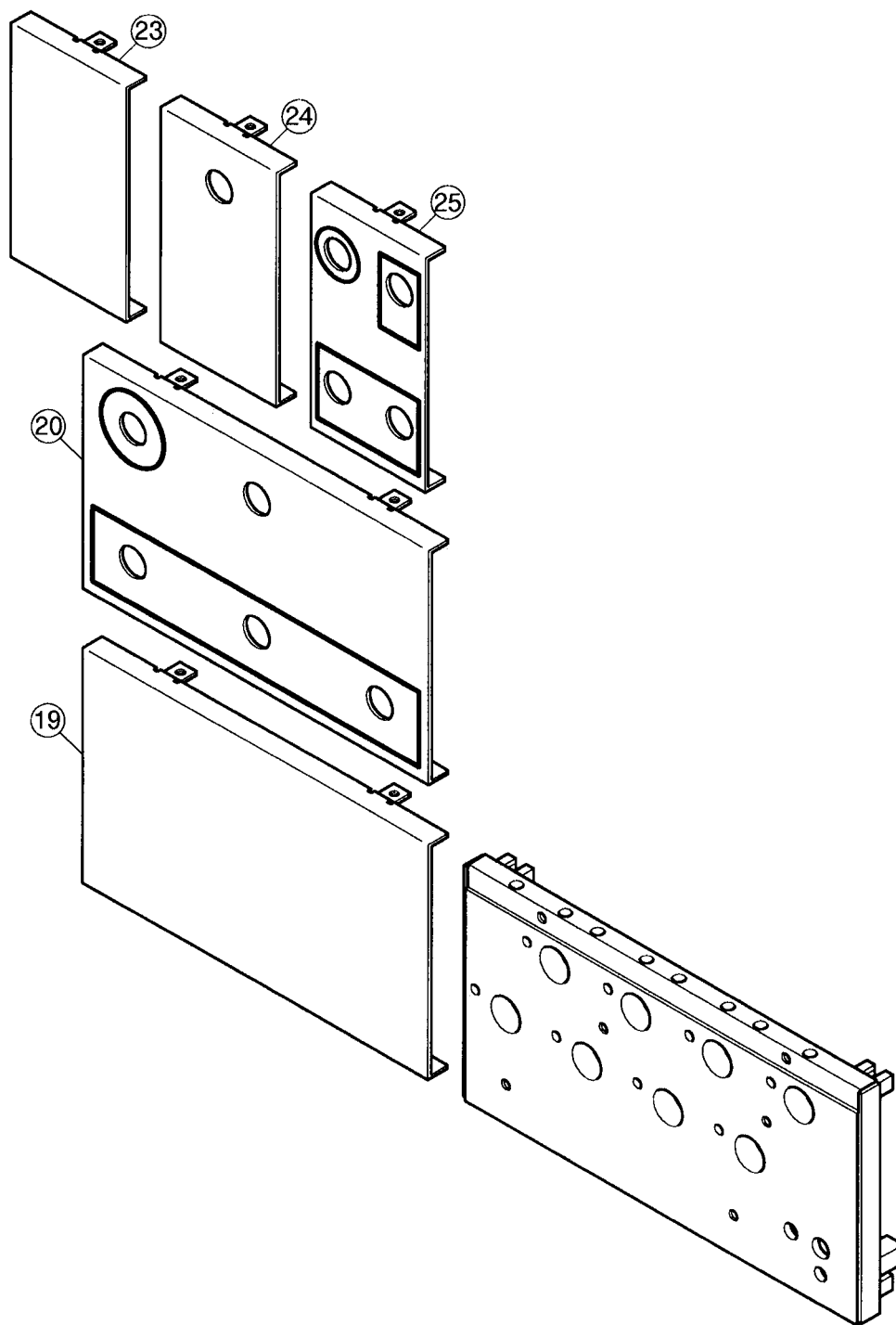
CGB9209 16b-1



THREAD TENSION UNIT 2

16b-1

| 組 Ass'y | 指図 Elt | 部品番号 PARTS No. | PARTS NAMES | CGB9827 NOTE / 備考 |
|------------|-----------|-------------------|--|----------------------|
| | 1 | SPDB04008 | Pan head screw (cross recessed, M4x8) | |
| | 2 | HCG17331 | Stopper | |
| | 3 | HCG17030 | Thread tension side cover (right) | |
| | 4 | M0420901 | Plate nut | |
| | 5 | HMF10281 | Cover bracket B | |
| | 6 | WPAD04000 | Plain washer (M4) | |
| | 7 | WSAD04000 | Spring lock washer (M4) | |
| | 8 | SCBD04010 | Hexagon socket head cap screw with flange (M4x10) | |
| | 9 | SPDB04010 | Pan head screw (cross recessed, M4x10) | |
| | 10 | →17b | Fixing plate B (right) for thread tension bracket (by model) | |
| | 11 | →16a | Thread tension bracket | |
| | 12 | SCAA04015 | Hexagon socket head cap screw (M4x15) | |
| | 13 | WSAA04000 | Spring lock washer (M4) | |
| | 14 | WPAA04000 | Plain washer (M4) | |
| | 15 | HCG10120 | Fixing plate | |
| | 16 | SCBD04008 | Hexagon socket head cap screw with flange (M4x8) | |
| | 17 | HCM10170 | Joint E | |
| | 18 | HCG10130 | Joint | |
| | 19 | SSAA04008 | Hexagon socket set screw (M4x8) | |
| | 20 | →17b | Fixing plate B (left) for thread tension bracket (by model) | |
| | 21 | HCG17040 | Thread tension side cover (left) | |
| | 22 | →17b | Rear cover (by model) | |
| | 23 | STAB04006 | Truss head screw (cross recessed, M4x6) | |

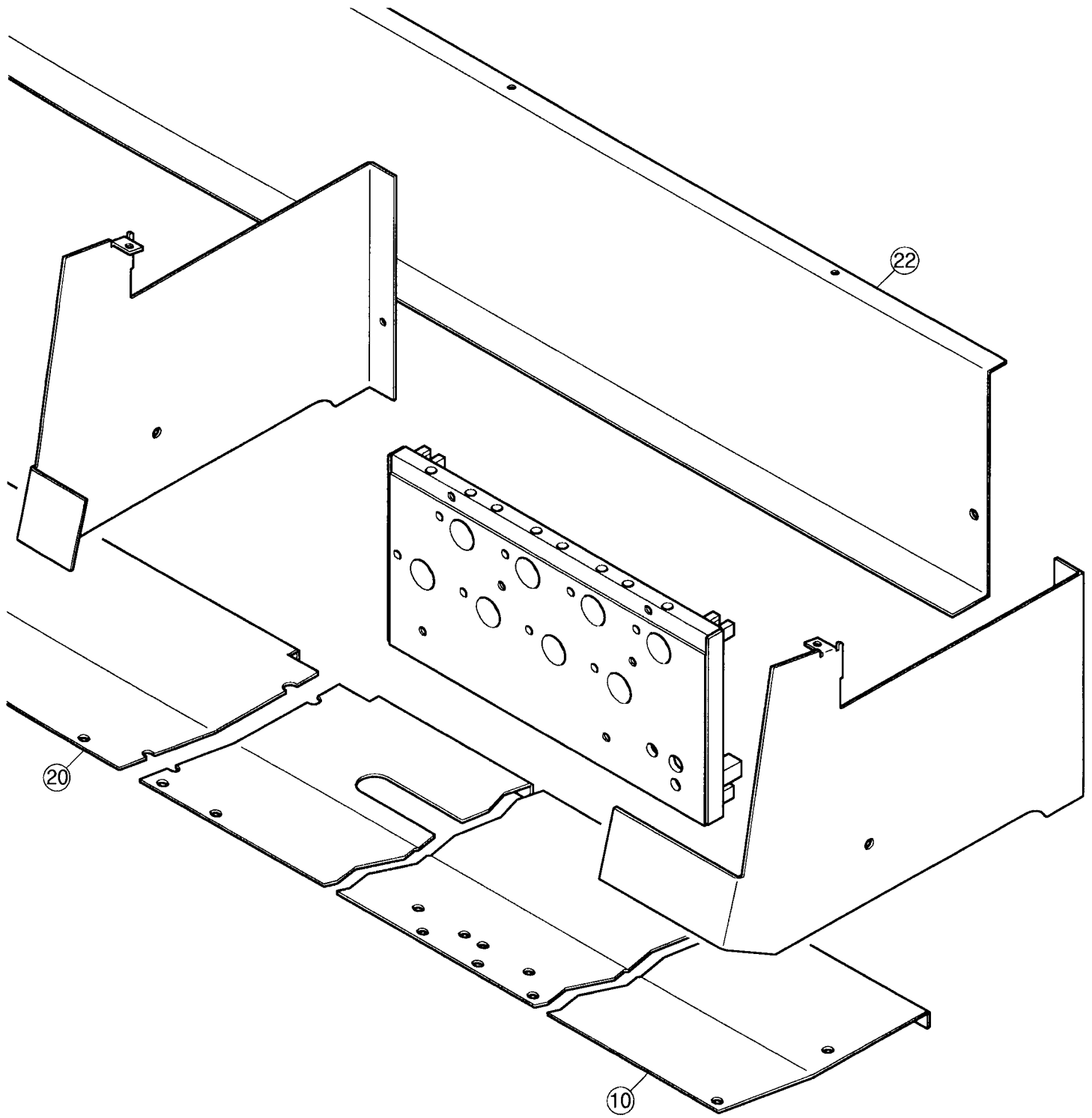


| 指図 / El't PARTS NAMES | | 1 9 Thread tension cover B | 2 0 Thread tension cover | |
|--------------------------|-------------|-------------------------------|-----------------------------|--|
| 機種 MODEL | 1 2 0 6 B | - | - | |
| | 1 0 0 6 B | - | - | |
| | X 1 2 0 4 B | HCG17310 | HCG17300 | |
| | X 1 0 0 4 B | HCG17420 | HCG17050 | |
| | 1 2 0 4 B | - | - | |
| | 1 0 0 4 B | - | - | |
| | 1 2 0 2 B | - | HCG17300 | |
| | 1 0 0 2 B | - | HCG17050 | |

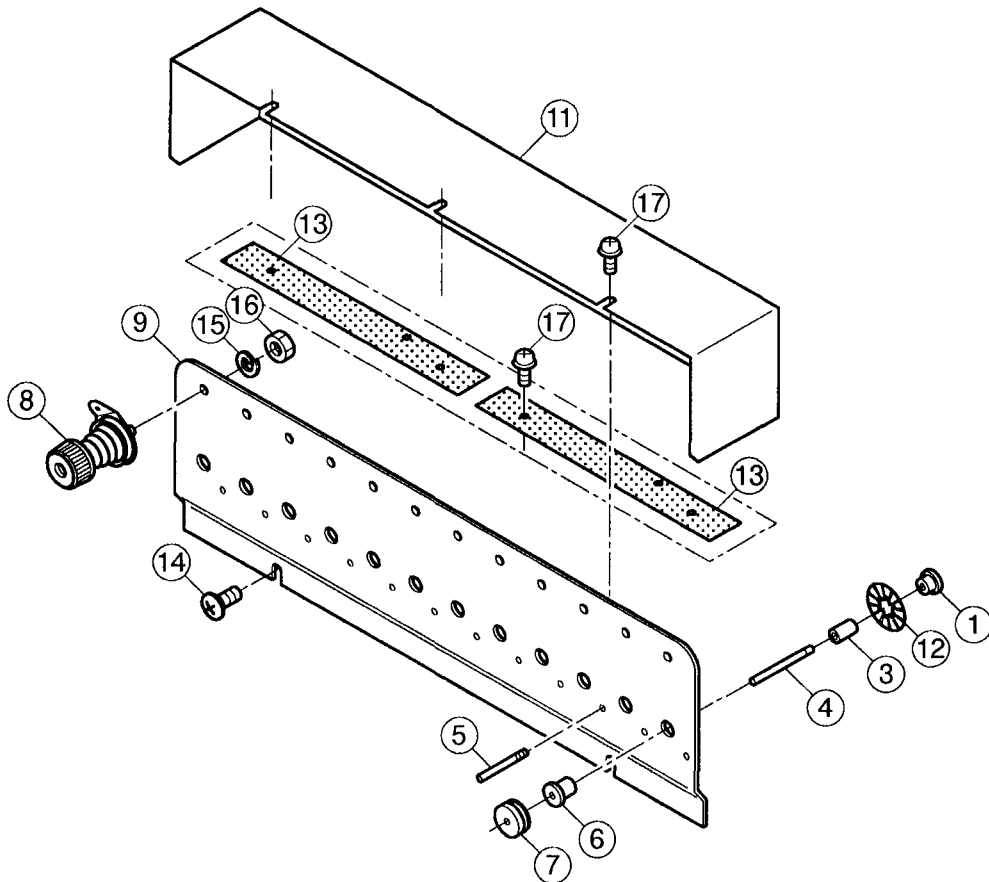
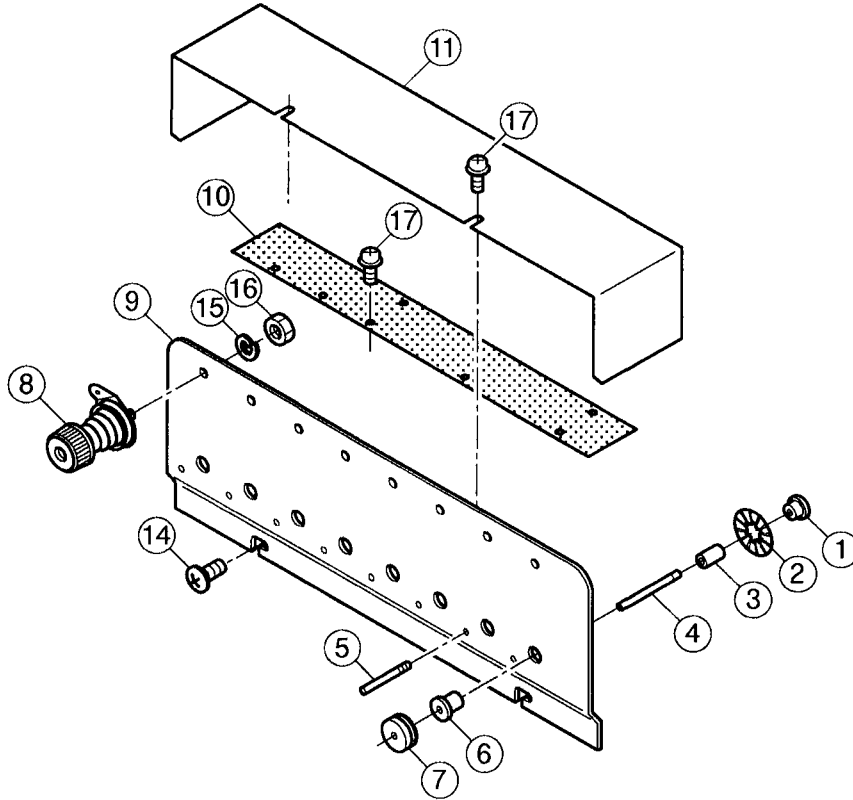
| 指図 / El't PARTS NAMES | | 2 3 Thread tension cover A | 2 4 Thread tension cover B | 2 5 Thread tension cover C |
|--------------------------|-------------|-------------------------------|-------------------------------|-------------------------------|
| 機種 MODEL | 1 2 0 6 B | HCG17240 | HCG17250 | HCG17260 |
| | 1 0 0 6 B | HCG17100 | HCG17090 | HCG17080 |
| | X 1 2 0 4 B | - | - | - |
| | X 1 0 0 4 B | - | - | - |
| | 1 2 0 4 B | HCG17240 | HCG17250 | HCG17260 |
| | 1 0 0 4 B | HCG17100 | HCG17090 | HCG17080 |
| | 1 2 0 2 B | - | - | - |
| | 1 0 0 2 B | - | - | - |

THREAD TENSION UNIT 2

CGB9209 17b-1



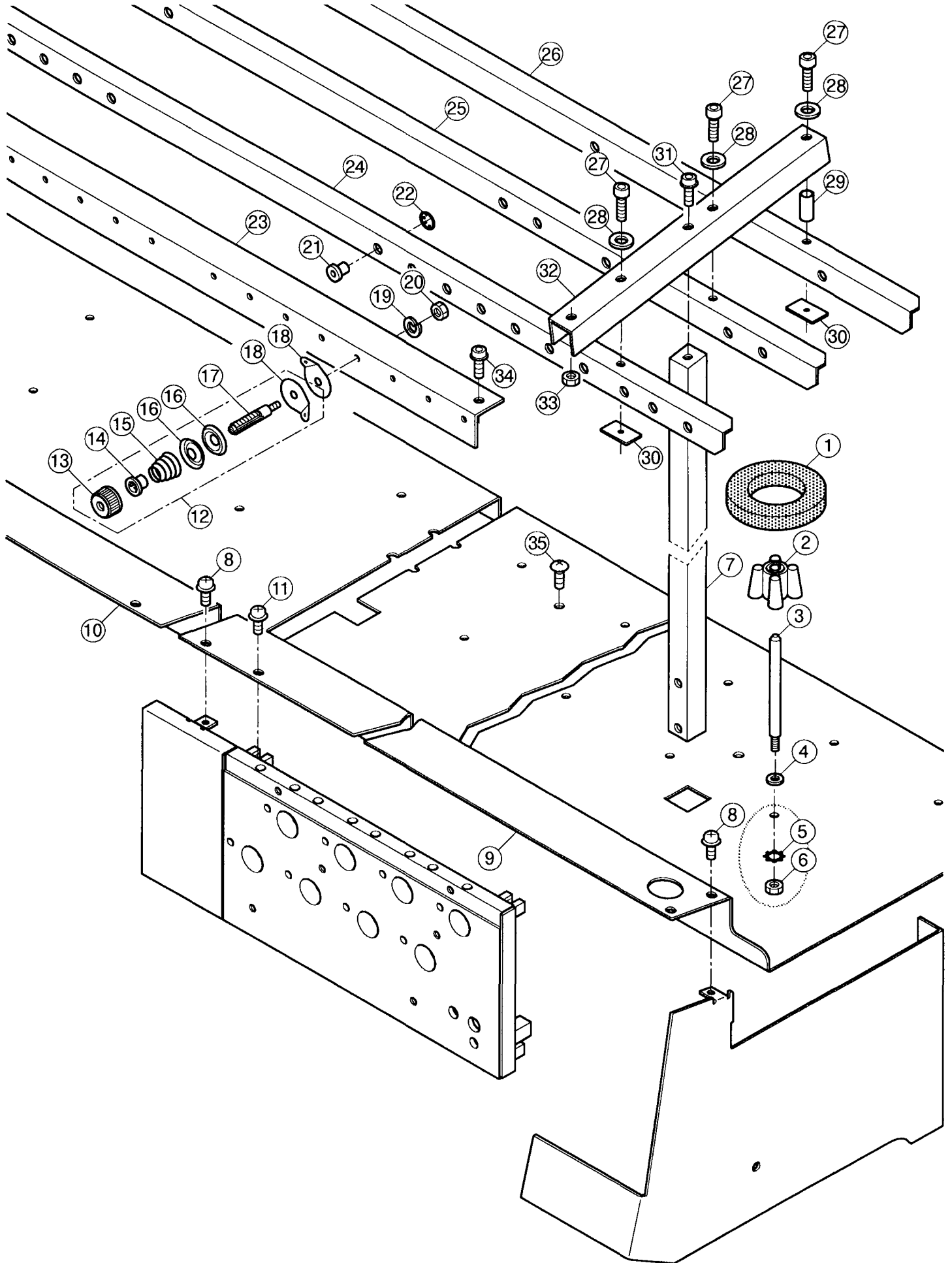
| 指図 / El't PARTS NAMES | | 1 0 Fixing plate B (right) | 2 0 Fixing plate B (left) | 2 2 Rear cover |
|--------------------------|-------------|-------------------------------|------------------------------|-------------------|
| 機種 MODEL | 1 2 0 6 B | HCG17221 | HCG17231 | HCG17271 |
| | 1 0 0 6 B | HCG17361 | HCG17371 | HCG17381 |
| | X 1 2 0 4 B | HCG17291 | - | HCG17323 |
| | X 1 0 0 4 B | HCG17401 | - | HCG17411 |
| | 1 2 0 4 B | HCG17441 | - | HCG17451 |
| | 1 0 0 4 B | HCG17471 | - | HCG17481 |
| | 1 2 0 2 B | HCG17501 | - | HCG17511 |
| | 1 0 0 2 B | HCG17531 | - | HCG17541 |



| 組 Ass'y | 指図 El't | 部品番号 PARTS No. | PARTS NAMES | CGB1828 NOTE / 備考 |
|------------|------------|-------------------|--|----------------------|
| | 1 | MPZ00350 | Eyelet | |
| | 2 | M0445061 | Slit disc | |
| | 3 | MPZ00360 | Spacer | |
| | 4 | M0445070 | Roller shaft | |
| | 5 | M0445103 | Thread guide bar | |
| | 6 | M0445080 | Roller shaft support | |
| | 7 | M0445092 | Detecting roller | |
| | 8 | M0416124 | Thread guide unit | |
| | 9 | M0445054 | Fixing plate (for 7 needle) | |
| | 9 | M0445044 | Fixing plate (for 8 needle) | |
| | 9 | HMG17162 | Fixing plate (for 10 needle) | |
| | 9 | HMG17221 | Fixing plate (for 12 needle) | |
| | 10 | M0445020 | Detecting board ass'y (for 7 needle) | |
| | 10 | M0445030 | Detecting board ass'y (for 8 needle) | |
| | 10 | HMF83120 | Detecting board ass'y (for 10 needle) | |
| | 11 | M0445013 | Cover for fixing plate (for 7 needle) | |
| | 11 | M0445003 | Cover for fixing plate (for 8 needle) | |
| | 11 | HMG17150 | Cover for fixing plate (for 10 needle) | |
| | 11 | HMG17230 | Cover for fixing plate (for 12 needle) | |
| | 12 | HMG17212 | Slit disc 2 | |
| | 13 | HCG83120 | Detecting board ass'y (for 12 needle) | |
| | 14 | SBAB04014 | Binding head screw (M4x14) | |
| | 15 | WSAA04000 | Spring lock washer (M4) | |
| | 16 | NHAA04000 | Hexagon nut (M4) | |
| | 17 | SPDD03006 | Pan head screw (cross recessed, M3x6) | |

THREAD STAND 1

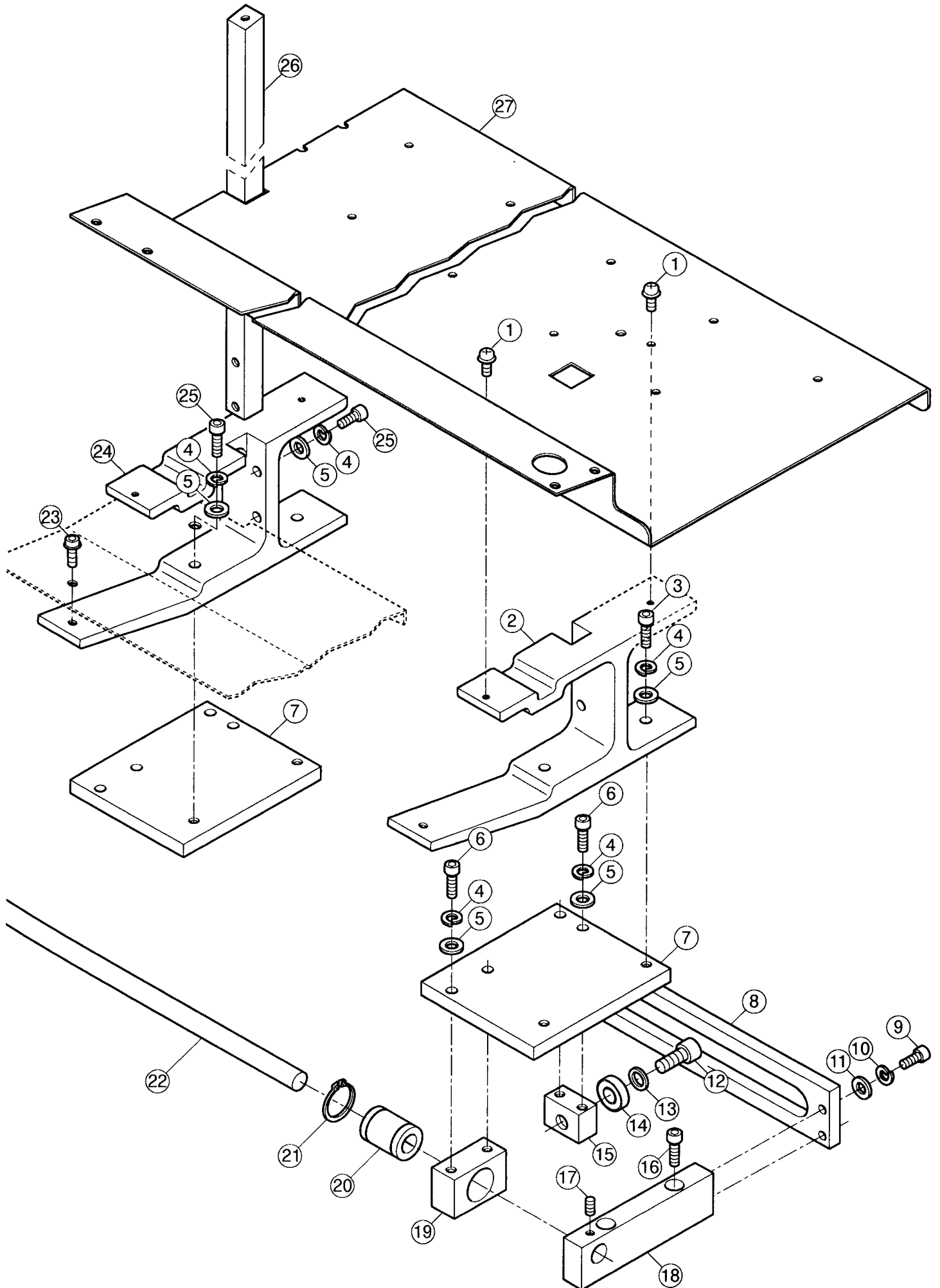
CGB9209 19a-1



THREAD STAND 1

19a-1

| 組 Ass'y | 指図 El't | 部品番号 PARTS No. | PARTS NAMES | CGB9209 NOTE / 備考 |
|------------|------------|-------------------|--|----------------------|
| | 1 | HMF20571 | Thread stand felt (80) | |
| | 2 | MPZ00340 | Plastic spring | |
| | 3 | M0420032 | Thread stand pin | |
| | 4 | M0420890 | Washer | |
| | 5 | WTBC06000 | Toothed lock washer | |
| | 6 | NHAB05000 | Hexagon nut (M5) | |
| | 7 | HCG20071 | Thread guide pillar | |
| | 8 | SPDB04008 | Pan head screw (cross recessed, M4x8) | |
| | 9 | →20a | Fixing plate A (right) for thread tension bracket (by model) | |
| | 10 | →20a | Fixing plate A (left) for thread tension bracket (by model) | |
| | 11 | SPDB04010 | Pan head screw (cross recessed, M4x10) | |
| | 12 | M0416124 | Thread guide unit | |
| 12* | 13 | MPZ00960 | Tension nut | |
| 12* | 14 | MPZ00280 | Spring guide | |
| 12* | 15 | M0416111 | Spring | |
| 12* | 16 | MPZ00221 | Disc | |
| 12* | 17 | M0418211 | Tension shaft | |
| 12* | 18 | MPZ00200 | Tension guide plate | |
| | 19 | WSAA04000 | Spring lock washer (M4) | |
| | 20 | NHAA04000 | Hexagon nut (M4) | |
| | 21 | M0445080 | Eyelet | |
| | 22 | MPR00110 | SE-ring (SE-7) | |
| | 23 | →20a | Thread guide unit fixing plate (by model) | |
| | 24 | →20a | Thread guide A (by model) | |
| | 25 | →20a | Thread guide B (by model) | |
| | 26 | →20a | Thread guide C (by model) | |
| | 27 | SCAD04025 | Hexagon socket head cap screw (M4x25) | |
| | 28 | WPAD04000 | Plain washer (M4) | |
| | 29 | HMF20770 | Spacer | |
| | 30 | M0420901 | Plate nut | |
| | 31 | SCBD05010 | Hexagon socket head cap screw with flange (M5x10) | |
| | 32 | HCG20820 | Thread guide connecting plate | |
| | 33 | NHAD04000 | Hexagon nut (M4) | |
| | 34 | SCBD04008 | Hexagon socket head cap screw with flange (M4x8) | |
| | 35 | STAB04006 | Truss head screw (cross recessed, M4x6) | |



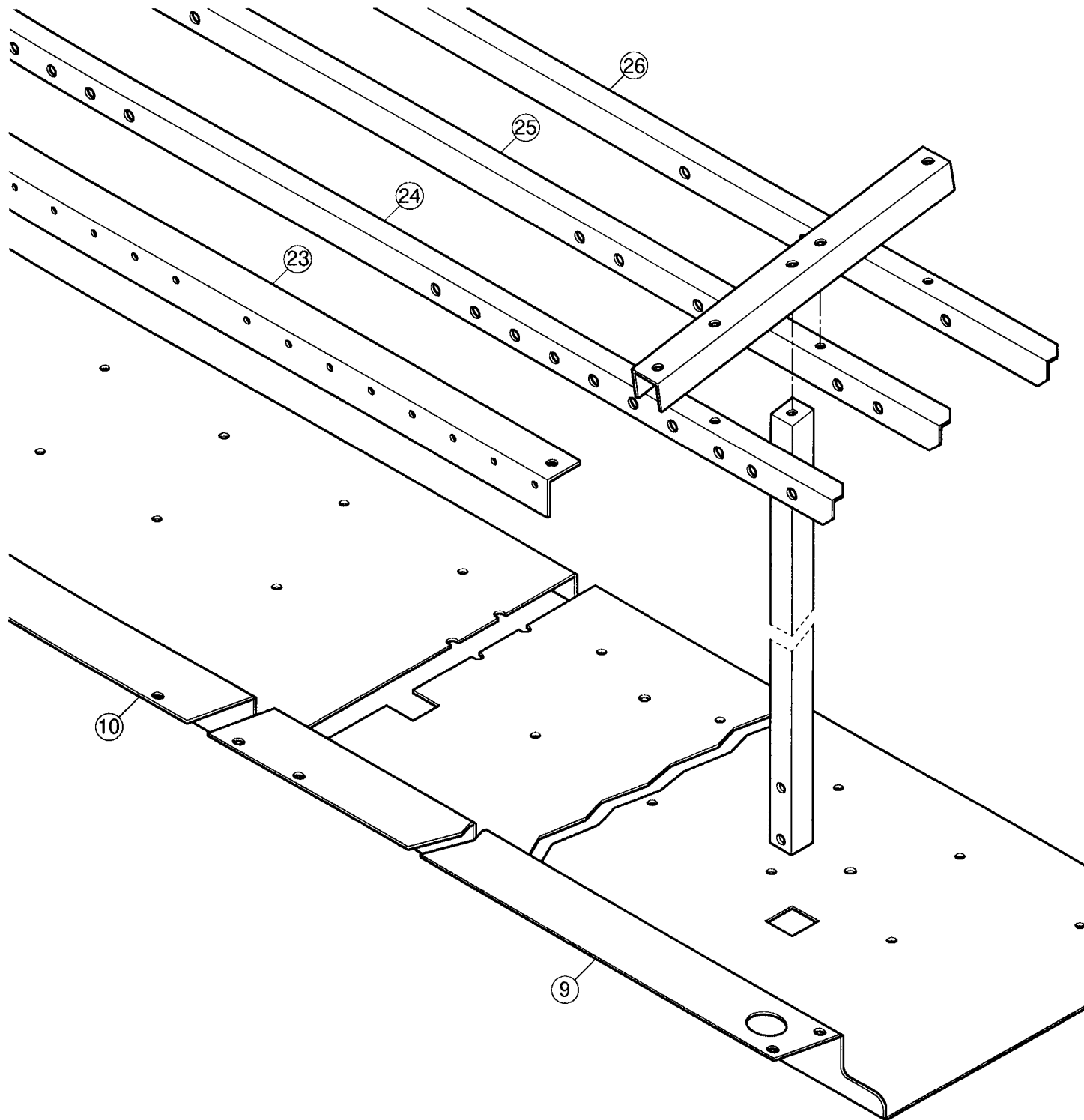
THREAD STAND 2

19b-1

| 組 Ass'y | 指図 El't | 部品番号 PARTS No. | PARTS NAMES | CGB1828 NOTE / 備考 |
|------------|------------|-------------------|--|----------------------|
| | 1 | SPBB04008 | Pan head screw (cross recessed, M4x8) | |
| | 2 | HCG20320 | Thread stand base A (for 12 needle) | |
| | 3 | SCAA06020 | Hexagon socket head cap screw (M6x20) | |
| | 4 | WSAA06000 | Spring lock washer (M6) | |
| | 5 | WPAA06000 | Plain washer (M6) | |
| | 6 | SCAA06025 | Hexagon socket head cap screw (M6x25) | |
| | 7 | HCG20340 | Thread stand base bracket | |
| | 8 | HCG20051 | Roller guide | |
| | 9 | SCAA05020 | Hexagon socket head cap screw (M5x20) | |
| | 10 | WSAA05000 | Spring lock washer (M5) | |
| | 11 | WPAA05000 | Plain washer (M5) | |
| | 12 | SCAA10020 | Hexagon socket head cap screw (M10x20) | |
| | 13 | HMF24200 | Spacer | |
| | 14 | MPB00560 | Bearing (6900ZZ) | |
| | 15 | HCG20060 | Roller support | |
| | 16 | SCAA06035 | Hexagon socket head cap screw (M6x35) | |
| | 17 | SSAA05006 | Hexagon socket set screw (M5x6) | |
| | 18 | HCG20041 | LM shaft support | |
| | 19 | HCG20030 | LM case | |
| | 20 | MPB00700 | Linear bush (LM13UU) | |
| | 21 | MPR00450 | C-ring (C-22) | |
| | 22 | MPB00710 | LM shaft (SF13-300L) | |
| | 23 | SCBA04008 | Hexagon socket head cap screw with flange (M4x8) | |
| | 24 | HCG20330 | Thread stand base B | |
| | 25 | SCAA06030 | Hexagon socket head cap screw (M6x30) | |
| | 26 | →19a | Thread guide pillar | |
| | 27 | →19a | Fixing plate A (right) for thread tension bracket (by model) | |

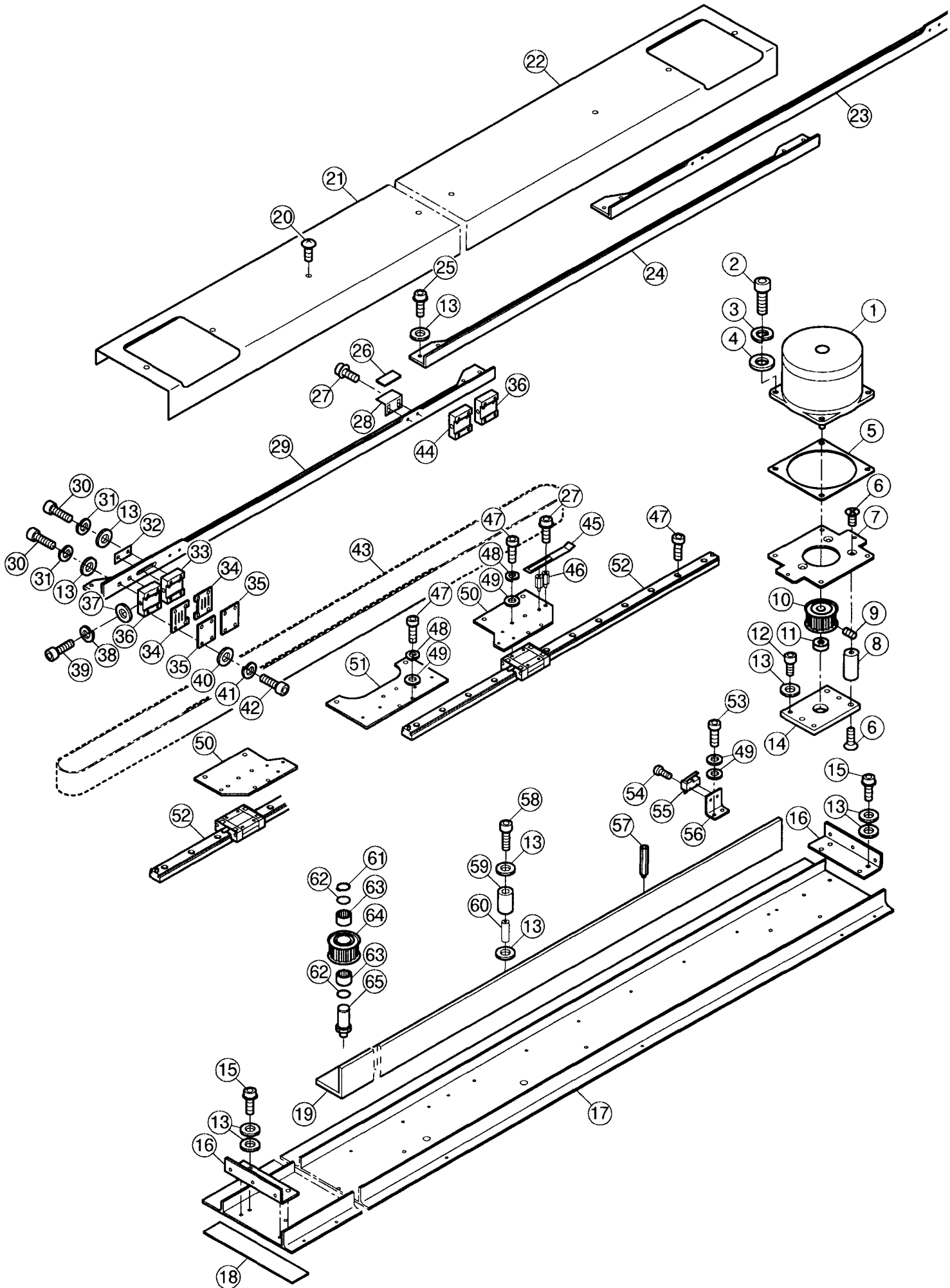
THREAD STAND

CGB9209 20a-1



| 指図 / E/t PARTS NAMES | | 9 Fixing plate A (right) | 10 Fixing plate A (left) | 23 Thread guide unit fixing plate |
|-------------------------|--------|-----------------------------|-----------------------------|---|
| 機種 MODEL | 1206B | HCG17201 | HCG17211 | HCG20780 |
| | 1006B | HCG17340 | HCG17350 | HCG20790 |
| | X1204B | HCG17281 | - | HCG20800 |
| | X1004B | HCG17390 | - | HCG20810 |
| | 1204B | HCG17430 | - | HCG20650 |
| | 1004B | HCG17460 | - | HCG20690 |
| | 1202B | HCG17490 | - | HCG20730 |
| | 1002B | HCG17520 | - | HCG20770 |

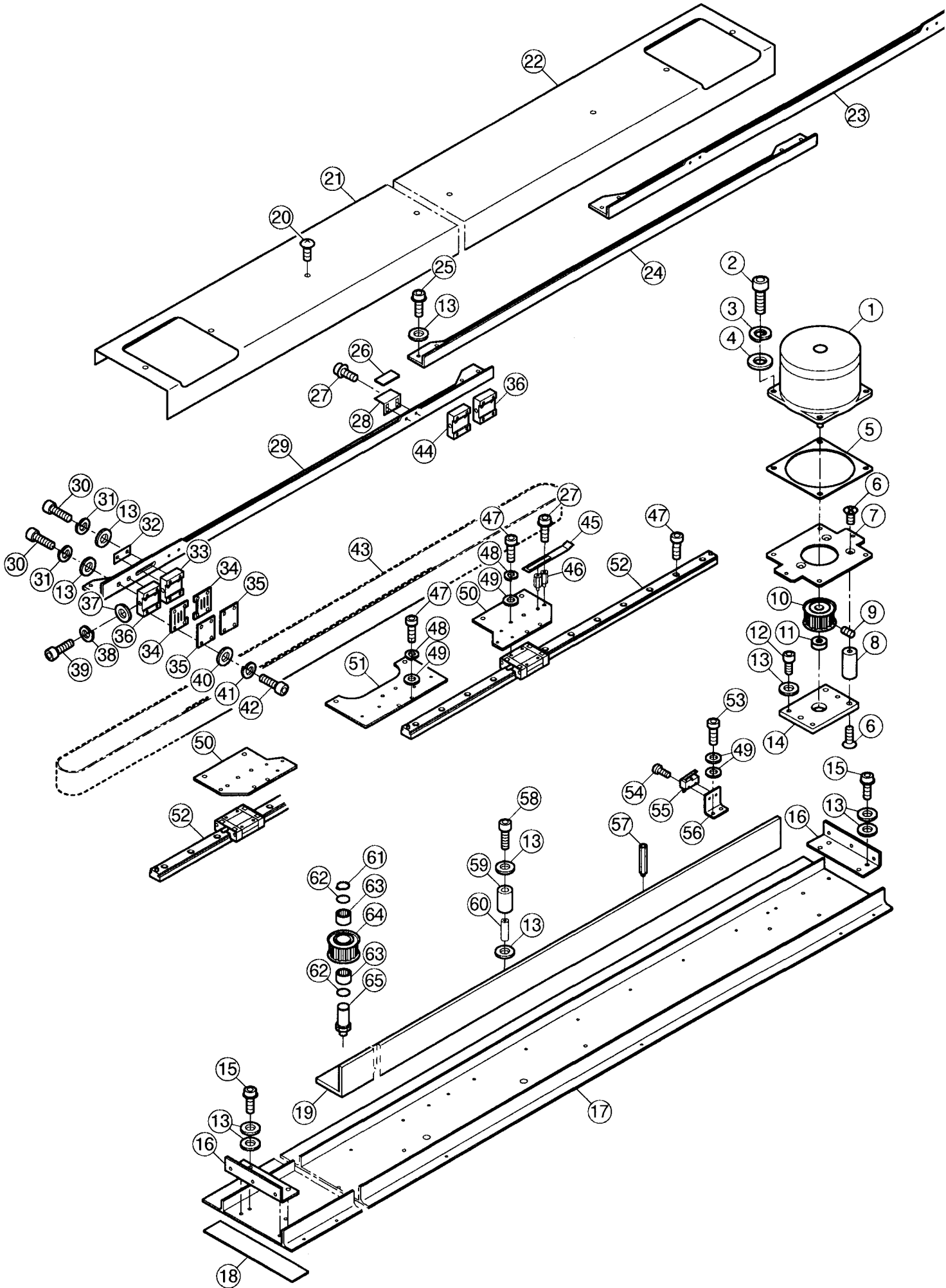
| 指図 / E/t PARTS NAMES | | 24 Thread guide A | 25 Thread guide B | 26 Thread guide C |
|-------------------------|--------|----------------------|----------------------|----------------------|
| 機種 MODEL | 1206B | HCG20350 | HCG20361 | HCG20370 |
| | 1006B | HCG20540 | HCG20550 | HCG20560 |
| | X1204B | HCG20390 | HCG20400 | HCG20410 |
| | X1004B | HCG20580 | HCG20590 | HCG20600 |
| | 1204B | HCG20620 | HCG20630 | HCG20630 |
| | 1004B | HCG20660 | HCG20670 | HCG20680 |
| | 1202B | HCG20700 | HCG20710 | HCG20720 |
| | 1002B | HCG20740 | HCG20750 | HCG20760 |



X CARRIAGE 1

21a-1

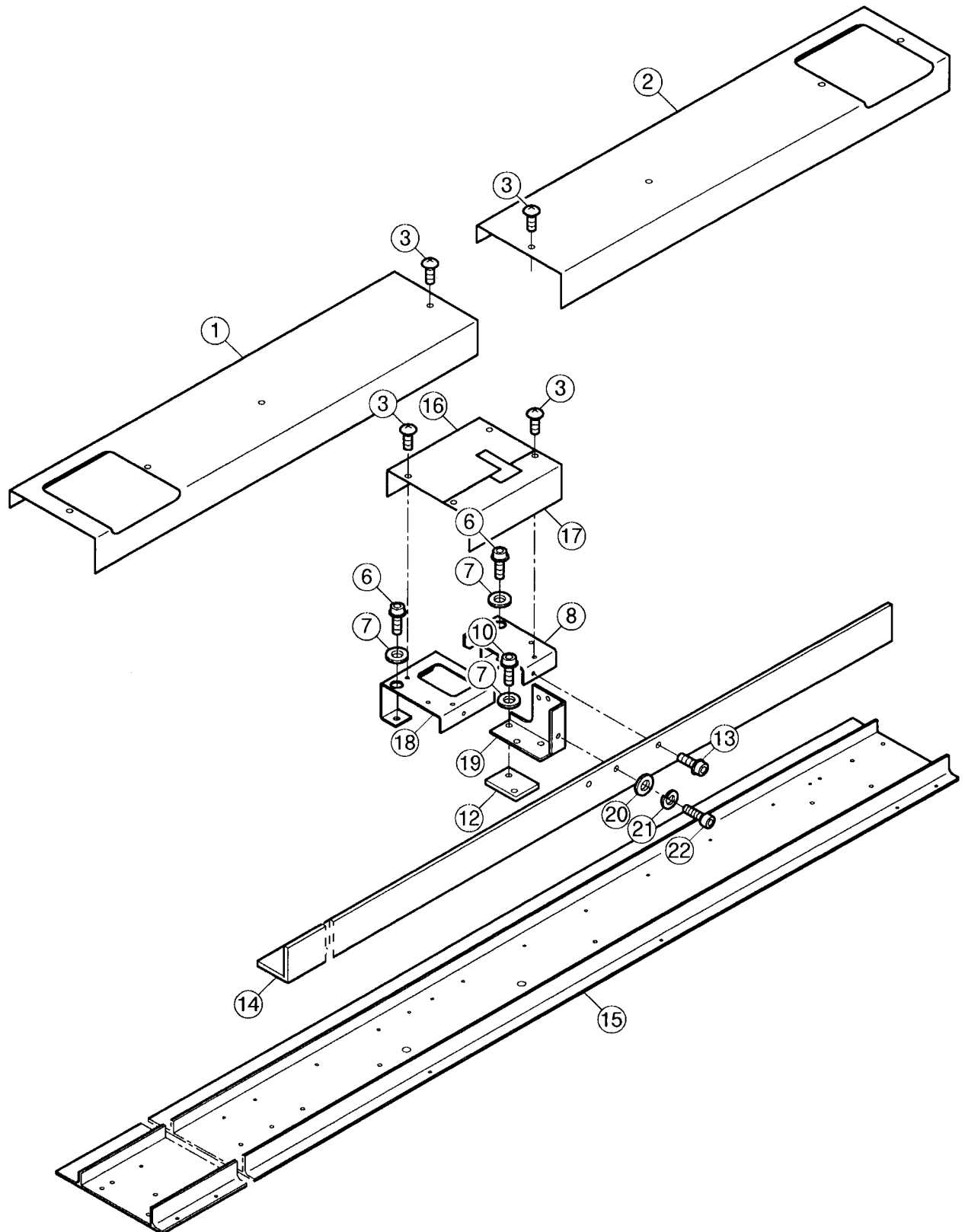
| 組 Ass'y | 指図 El't | 部品番号 PARTS No. | PARTS NAMES | CGB9209 NOTE / 備考 |
|------------|------------|-------------------|--|----------------------|
| | 1 | EPM00410 | Pulse motor | |
| | 2 | SCAA05015 | Hexagon socket head cap screw (M5x15) | |
| | 3 | WSAA05000 | Spring lock washer (M5) | |
| | 4 | WPAA05000 | Plain washer (M5) | |
| | 5 | HCG25320 | Pulse motor spacer | |
| | 6 | SGAB05012 | Flat head screw (cross recessed head, M5x12) | |
| | 7 | HCG25070 | Pulse motor bracket | |
| | 8 | HCG25220 | Pulse motor stud | |
| | 9 | SSAA05008 | Hexagon socket set screw (M5x8) | |
| | 10 | HCG25050 | Drive pulley | |
| | 11 | MPB00720 | Bearing (BC6-16ZZ) | |
| | 12 | SCAB04010 | Hexagon socket head cap screw (M4x10) | |
| | 13 | WPAD04000 | Plain washer (M4) | |
| | 14 | HCG25040 | Pulse motor base | |
| | 15 | SCBD04008 | Hexagon socket head cap screw with flange (M4x8) | |
| | 16 | HCG25410 | Stay | |
| | 17 | →22a | X carriage base (by model) | |
| | 18 | HCG25212 | Base felt | |
| | 19 | →22a | Reinforcement plate (by model) | |
| | 20 | STAB04006 | Truss head screw (cross recessed, M4x6) | |
| | 21 | →22a | X carriage base cover (right) (by model) | |
| | 22 | →22a | X carriage base cover (left) (by model) | |
| | 23 | →22a | Connecting plate (right) (by model) | |
| | 24 | →22a | Connecting plate (middle) (by model) | |
| | 25 | SCBD04006 | Hexagon socket head cap screw with flange (M4x6) | |
| | 26 | HCG25202 | Cover felt | |
| | 27 | SCBA03006 | Hexagon socket head cap screw with flange (M3x6) | |
| | 28 | HCG25180 | Cover felt bracket | |
| | 29 | →22a | Connecting plate (left) (by model) | |
| | 30 | SCAD04012 | Hexagon socket head cap screw (M4x12) | |
| | 31 | WSAD04000 | Spring lock washer (M4) | |
| | 32 | HCG25720 | Washer | |
| | 33 | HCG25130 | Belt fixing plate C | |
| | 34 | HCG25270 | Belt holding plate A | |
| | 35 | HCG25280 | Belt holding plate B | |
| | 36 | HCG25110 | Belt fixing plate A | |
| | 37 | WPAA04000 | Plain washer (M4) | |
| | 38 | WSAA04000 | Spring lock washer (M4) | |
| | 39 | SCAA04045 | Hexagon socket head cap screw (M4x45) | |
| | 40 | WPAD03000 | Plain washer (M3) | |
| | 41 | WSAD03000 | Spring lock washer (M3) | |
| | 42 | SCAD03012 | Hexagon socket head cap screw (M3x12) | |
| | 43 | →22a | Timing belt (by model) | |
| | 44 | HCG25120 | Belt fixing plate B | |



X CARRIAGE 1

21a-2

| 組 Ass'y | 指図 El't | 部品番号 PARTS No. | PARTS NAMES | CGB9209 NOTE / 備考 |
|------------|------------|-------------------|---|----------------------|
| | 45 | HCG25140 | Limit switch dog | |
| | 46 | MPZ01960 | Spacer (BSB-4312) | |
| | 47 | SCAA03008 | Hexagon socket head cap screw (M3x8) | |
| | 48 | WSAA03000 | Spring lock washer (M3) | |
| | 49 | WPAA03000 | Plain washer (M3) | |
| | 50 | HCG25510 | Connecting plate C | |
| | 51 | HCG25520 | Connecting plate | |
| | 51 | HCG25600 | Connecting plate (X1204B, X1004B) | |
| | 52 | HCG25031 | LM guide | |
| | 52 | HCG26221 | LM guide (X1204B, X1004B) | |
| | 53 | SCAA03006 | Hexagon socket head cap screw (M3x6) | |
| | 54 | SPAC2C008 | Pan head screw (cross recessed, M2.3x8) | |
| | 55 | HCG75040 | Limit switch | |
| | 56 | HCG25150 | Limit switch bracket | |
| | 57 | HCG25750 | Cover stud | |
| | 58 | SCAD04035 | Hexagon socket head cap screw (M4x35) | |
| | 59 | HCG25730 | Tension roller | |
| | 60 | MPZ02210 | Spacer (CB-425) | |
| | 61 | MPR00460 | C-ring (C-12) | |
| | 62 | M0424160 | Spacer | |
| | 63 | MPB00280 | Needle bearing (HK1210) | |
| | 64 | HCG25290 | Idler pulley | |
| | 65 | HCG25240 | Idler shaft | |



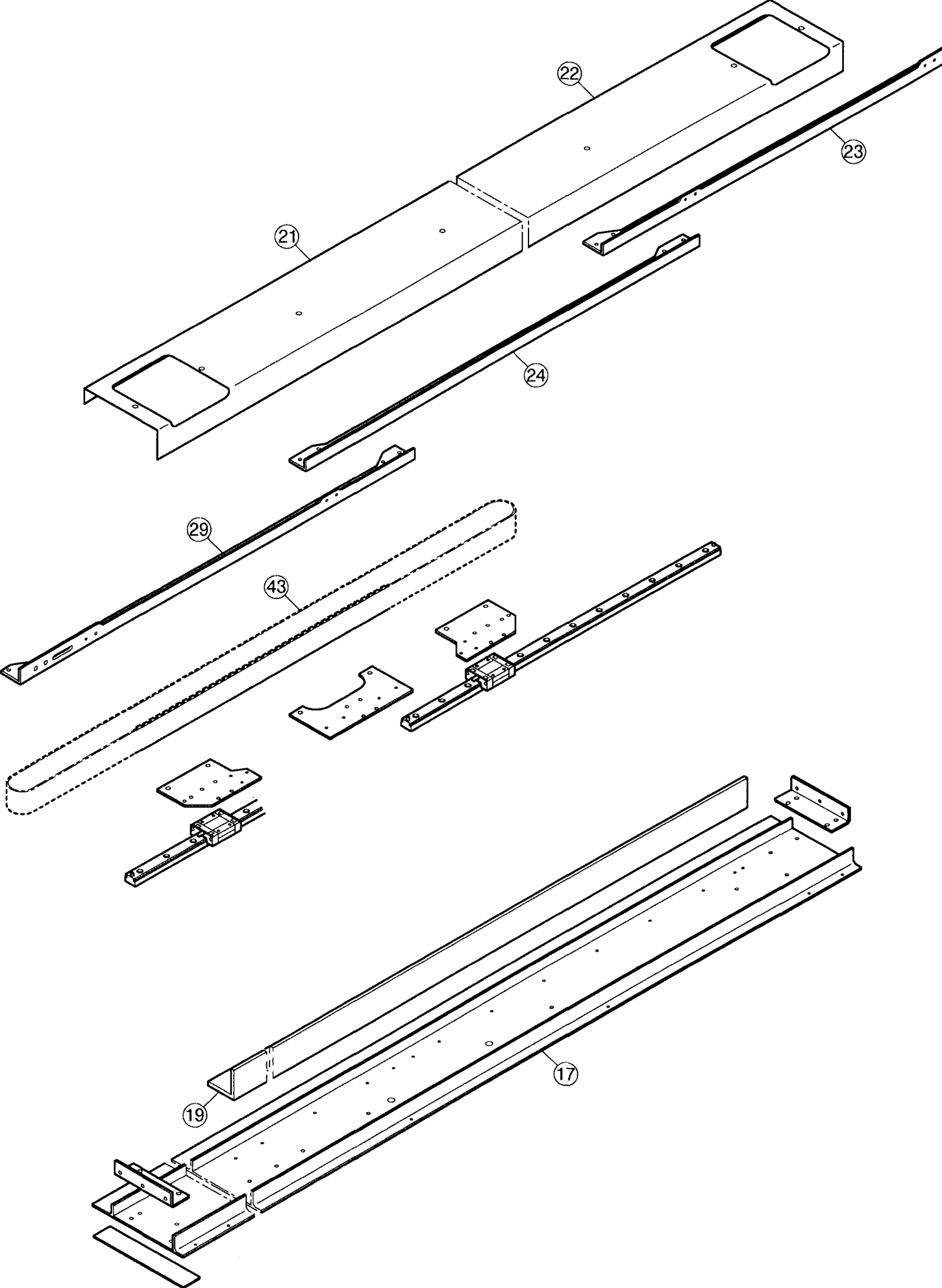
X CARRIAGE 2

21b-1

| 組 Ass'y | 指図 Elt | 部品番号 PARTS No. | PARTS NAMES | CGB9B01 NOTE / 備考 |
|------------|-----------|-------------------|---|----------------------|
| | 1 | →21a | X carriage base cover (right) (by model) | |
| | 2 | →21a | X carriage base cover (left) (by model) | |
| | 3 | STAB04006 | Truss head screw (cross recessed, M4x6) | |
| | 6 | SCBD04006 | Hexagon socket head cap screw with flange (M4x6) | |
| | 7 | WPAD04000 | Plain washer (M4) | |
| | 8 | HCG25492 | Cover bracket (left) | |
| | 10 | SCBD04012 | Hexagon socket head cap screw with flange (M4x12) | |
| | 12 | HCG25740 | Plate | |
| | 13 | SCBD04008 | Hexagon socket head cap screw with flange (M4x8) | |
| | 14 | →21a | Reinforcement plate (by model) | |
| | 15 | →21a | X carriage base (by model) | |
| | 16 | HCG25870 | X carriage base cover (front) | |
| | 17 | HCG25880 | X carriage base cover (rear) | |
| | 18 | HCG25890 | Cover bracket (right) | |
| | 19 | HCG25820 | Stay Connecting plate | |
| | 20 | WPAD05000 | Plain washer (M5) | |
| | 21 | WSAD05000 | Spring lock washer (M5) | |
| | 22 | SCAD05012 | Hexagon socket head cap screw (M5x12) | |

X CARRIAGE

CGB9209 22a-1

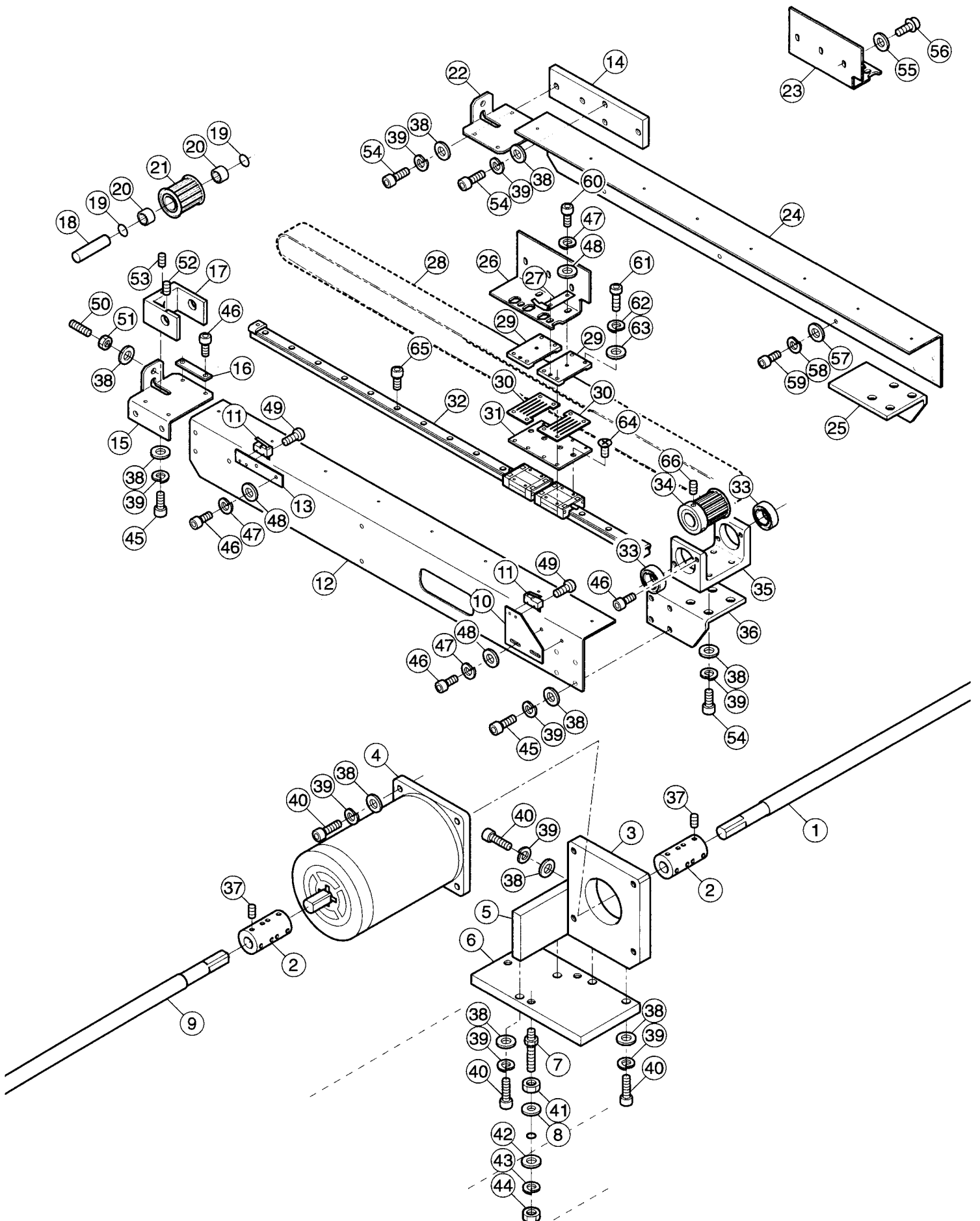


| 指図 / Elt PARTS NAMES | | 1 7 X carriage base | 1 9 Reinforcement plate | 2 1 X carriage base cover (right) | 2 2 X carriage base cover (left) |
|-------------------------|-------------|------------------------|-------------------------------|---|--|
| 機種 MODEL | 1 2 0 6 B | HCG25402 | HCG25701 | HCG25441 | HCG25471 |
| | 1 0 0 6 B | HCG25402 | HCG25701 | HCG25441 | HCG25471 |
| | X 1 2 0 4 B | HCG25542 | HCG25711 | HCG25581 | HCG25591 |
| | X 1 0 0 4 B | HCG25542 | HCG25711 | HCG25581 | HCG25591 |
| | 1 2 0 4 B | HCG25620 | HCG25640 | HCG25630 | - |
| | 1 0 0 4 B | HCG25620 | HCG25640 | HCG25630 | - |
| | 1 2 0 2 B | HCG25650 | HCG25690 | HCG25660 | - |
| | 1 0 0 2 B | HCG25650 | HCG25690 | HCG25660 | - |

| 指図 / Elt PARTS NAMES | | 2 3 Connecting plate (right) | 2 4 Connecting plate (middle) | 2 9 Connecting plate (left) | 4 3 Timing belt |
|-------------------------|-------------|------------------------------------|-------------------------------------|-----------------------------------|--------------------|
| 機種 MODEL | 1 2 0 6 B | HCG25422 | HCG25530 | HCG25432 | MPV00530 |
| | 1 0 0 6 B | HCG25422 | HCG25530 | HCG25432 | MPV00530 |
| | X 1 2 0 4 B | HCG25551 | HCG25561 | HCG25571 | MPV00520 |
| | X 1 0 0 4 B | HCG25551 | HCG25561 | HCG25571 | MPV00520 |
| | 1 2 0 4 B | HCG25422 | - | HCG25432 | MPV00530 |
| | 1 0 0 4 B | HCG25422 | - | HCG25432 | MPV00530 |
| | 1 2 0 2 B | HCG25671 | - | HCG25681 | MPV00520 |
| | 1 0 0 2 B | HCG25671 | - | HCG25681 | MPV00520 |

Y CARRIAGE A

CGB1828 **23a-1**



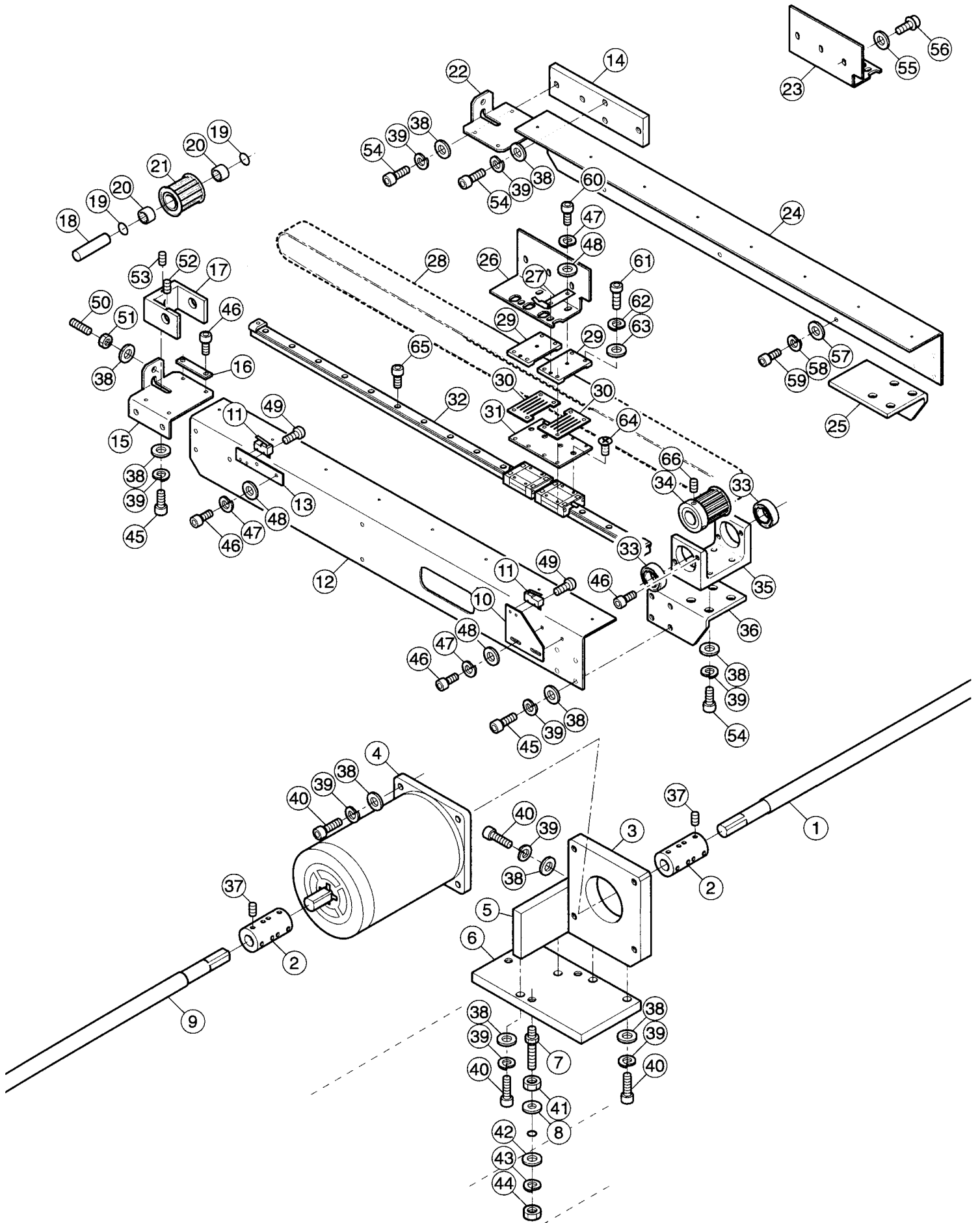
Y CARRIAGE A

23a-1

| 組 Ass'y | 指図 Elt | 部品番号 PARTS No. | PARTS NAMES | CGB0623 NOTE / 備考 |
|------------|-----------|-------------------|---|----------------------|
| | 1 | →24a | Y carriage drive shaft (left) (by model) | |
| | 2 | M0424093 | Coupling A | |
| | 3 | HCG26020 | Pulse motor bracket | |
| | 4 | EPM00420 | Pulse motor | |
| | 5 | HCG26030 | Stay | |
| | 6 | HCG26010 | Base | |
| | 7 | HCG04200 | Stud | |
| | 8 | HCG04211 | Washer | |
| | 9 | →24a | Y carriage drive shaft (right) (by model) | |
| | 10 | HCG24382 | Limit switch bracket (rear) | |
| | 11 | HCG75040 | Limit switch | |
| | 12 | HCG24410 | Rail bracket (right) | |
| | 13 | HCG24372 | Limit switch bracket (front) | |
| | 14 | HCG24360 | Fixing plate | |
| | 15 | HCG24340 | Idler pulley bracket (right) | |
| | 16 | HCG24100 | Guide plate | |
| | 17 | HCG24250 | Idler pulley support | |
| | 18 | M0424180 | Idler shaft | |
| | 19 | M0424160 | Spacer | |
| | 20 | MPB00280 | Needle bearing (HK1210) | |
| | 21 | HCG24050 | Idler pulley | |
| | 22 | HCG24350 | Idler pulley bracket (left) | |
| | 23 | HCG24402 | Stay (left) | |
| | 24 | HCG24420 | Rail bracket (left) | |
| | 25 | HCG24333 | Bracket (left) | |
| | 26 | HCG24392 | Stay (right) | |
| | 27 | HCG24161 | Limit switch dog | |
| | 28 | MPV00060 | Timing belt | |
| | 29 | HCG24131 | Belt fixing plate | |
| | 30 | HCG24230 | Belt holding plate A | |
| | 31 | HCG24430 | Belt holding plate C | |
| | 32 | HCG24031 | LM guide | |
| | 33 | MPB00750 | Bearing (6903ZZNR) | |
| | 34 | HCG24040 | Drive pulley | |
| | 35 | HCG24312 | Drive shaft support | |
| | 36 | HCG24323 | Bracket (right) | |

Y CARRIAGE A

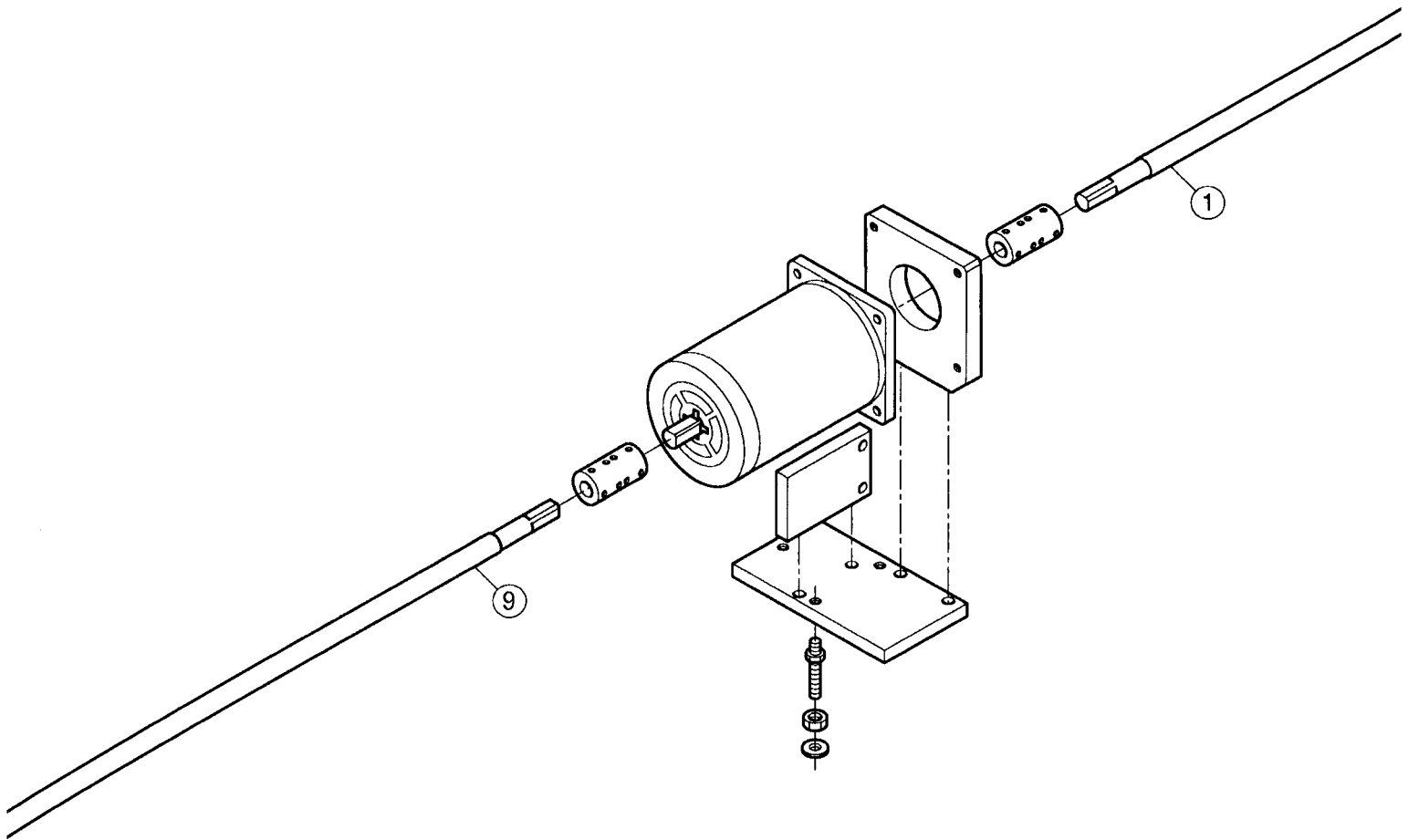
CGB1828 **23a-2**



Y CARRIAGE A

23a-2

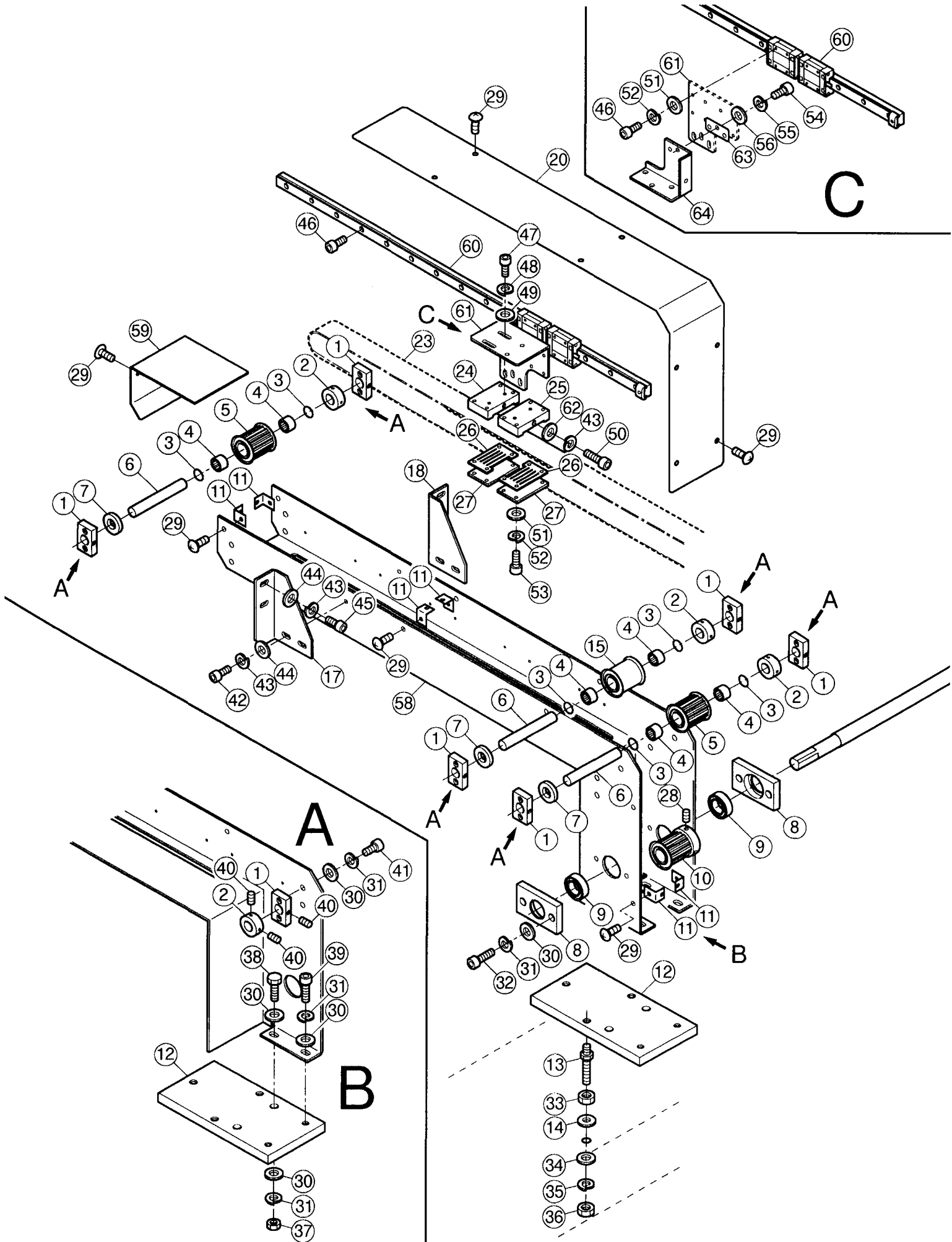
| 組 Ass'y | 指図 Elt | 部品番号 PARTS No. | PARTS NAMES | CGB1828 NOTE / 備考 |
|------------|-----------|-------------------|---|----------------------|
| | 37 | SSAD05010 | Hexagon socket set screw (M5x10) | |
| | 38 | WPAA06000 | Plain washer (M6) | |
| | 39 | WSAA06000 | Spring lock washer (M6) | |
| | 40 | SCAA06025 | Hexagon socket head cap screw (M6x25) | |
| | 41 | NHAA08000 | Hexagon nut (M8) | |
| | 42 | WPAD08000 | Plain washer (M8) | |
| | 43 | WSAD08000 | Spring lock washer (M8) | |
| | 44 | NHAD08000 | Hexagon nut (M8) | |
| | 45 | SCAA06012 | Hexagon socket head cap screw (M6x12) | |
| | 46 | SCAA04008 | Hexagon socket head cap screw (M4x8) | |
| | 47 | WSAA04000 | Spring lock washer (M4) | |
| | 48 | WPAA04000 | Plain washer (M4) | |
| | 49 | SPAC2C008 | Pan head screw (cross recessed, M2.3x8) | |
| | 50 | SSAA06035 | Hexagon socket set screw (M6x35) | |
| | 51 | NHAA06000 | Hexagon nut (M6) | |
| | 52 | SSAA03006 | Hexagon socket set screw (M3x6) | |
| | 53 | SSAA04008 | Hexagon socket set screw (M4x8) | |
| | 54 | SCAA06015 | Hexagon socket head cap screw (M6x15) | |
| | 55 | WPAD04000 | Plain washer (M4) | |
| | 56 | SCBD04010 | Hexagon socket head cap screw with flange (M4x10) | |
| | 57 | WPAA05000 | Plain washer (M5) | |
| | 58 | WSAA05000 | Spring lock washer (M5) | |
| | 59 | SCAA05010 | Hexagon socket head cap screw (M5x10) | |
| | 60 | SCAA04010 | Hexagon socket head cap screw (M4x10) | |
| | 61 | SCAA03015 | Hexagon socket head cap screw (M3x15) | |
| | 62 | WSAA03000 | Spring lock washer (M3) | |
| | 63 | WPAA03000 | Plain washer (M3) | |
| | 64 | HCA24180 | Flat head screw | |
| | 65 | SCAA03010 | Hexagon socket head cap screw (M3x10) | |
| | 66 | SSAA06010 | Hexagon socket set screw (M6x10) | |



| 指図 / El't PARTS NAMES | | 1 Y carriage drive shaft (left) | 9 Y carriage drive shaft (right) | |
|--------------------------|-------------|---------------------------------------|--|--|
| 機種 MODEL | 1 2 0 6 B | HCG26050 | HCG26040 | |
| | 1 0 0 6 B | HCG26050 | HCG26040 | |
| | X 1 2 0 4 B | HCG26400 | HCG26390 | |
| | X 1 0 0 4 B | HCG26400 | HCG26390 | |
| | 1 2 0 4 B | HCG26410 | HCG26040 | |
| | 1 0 0 4 B | HCG26410 | HCG26040 | |
| | 1 2 0 2 B | HCG26430 | HCG26420 | |
| | 1 0 0 2 B | HCG26430 | HCG26420 | |

Y CARRIAGE B

CGB9B01 25a-1



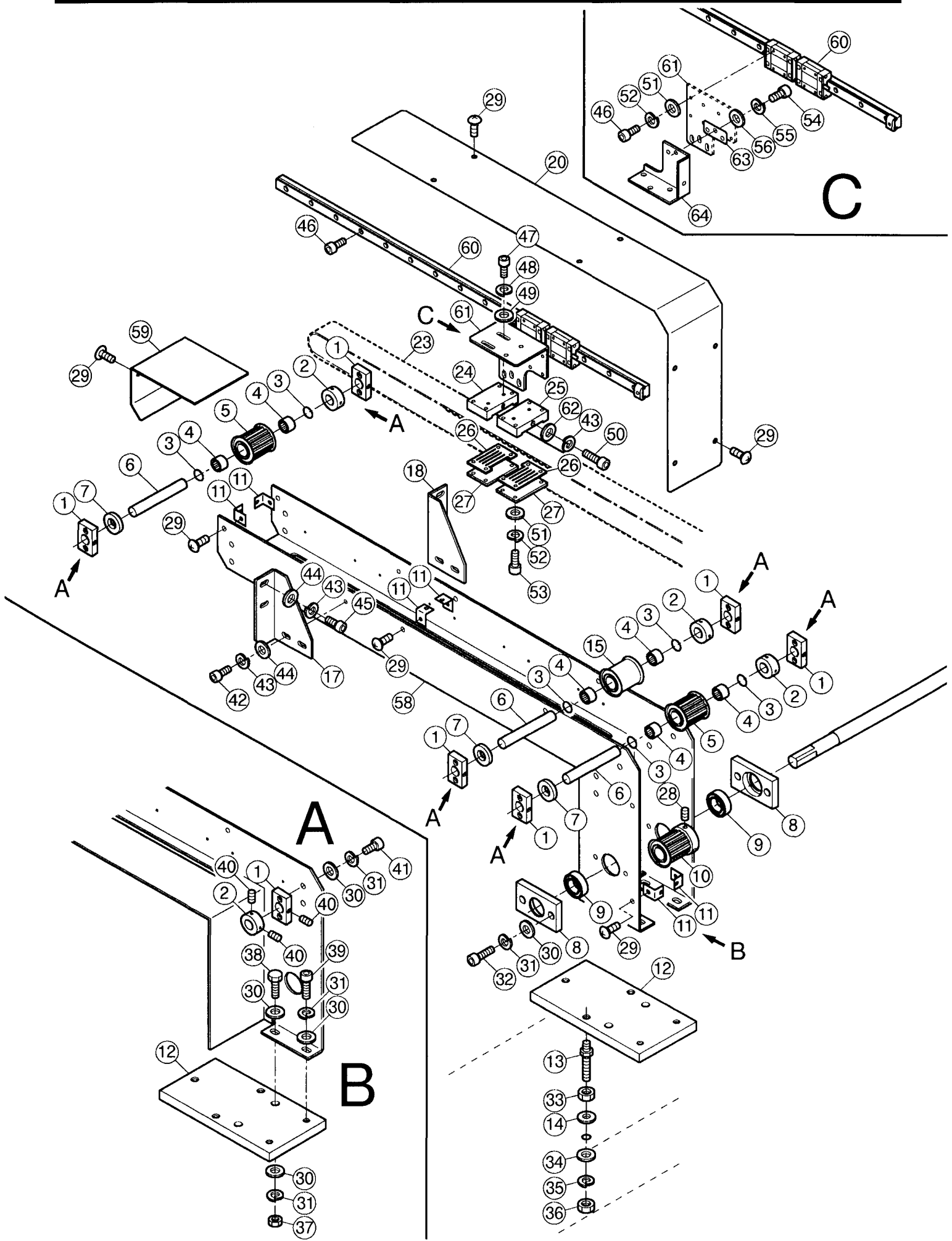
Y CARRIAGE B

25a-1

| 組 Ass'y | 指図 El't | 部品番号 PARTS No. | PARTS NAMES | CGB9B01 NOTE / 備考 |
|------------|------------|-------------------|---|----------------------|
| | 1 | HCG26280 | Idler shaft support | |
| | 2 | HCG26300 | Collar A | |
| | 3 | M0424160 | Spacer | |
| | 4 | MPB00280 | Needle bearing (HK1210) | |
| | 5 | HCG24050 | Idler pulley | |
| | 6 | HCG26290 | Idler shaft | |
| | 7 | HCG26310 | Collar B | |
| | 8 | HCG26271 | Drive shaft support | |
| | 9 | MPB00270 | Bearing (6903ZZ) | |
| | 10 | HCG24040 | Drive pulley | |
| | 11 | HCG26350 | Cover bracket | |
| | 12 | HCG26200 | Arm base | |
| | 13 | HCG04200 | Stud | |
| | 14 | HCG04211 | Washer | |
| | 15 | HCG26320 | Guide pulley | |
| | 17 | HCG26330 | Arm fixing plate (right) | |
| | 18 | HCG26340 | Arm fixing plate (left) | |
| | 20 | HCG26371 | Cover B | |
| | 23 | MPV00060 | Timing belt | |
| | 24 | HCG26240 | Belt holding block A | |
| | 25 | HCG26250 | Belt holding block B | |
| | 26 | HCG24230 | Belt holding plate A | |
| | 27 | HCG26260 | Belt holding plate | |
| | 28 | SSAA06010 | Hexagon socket set screw (M6x10) | |
| | 29 | STAB04006 | Truss head screw (cross recessed, M4x6) | |
| | 30 | WPAA06000 | Plain washer (M6) | |
| | 31 | WSAA06000 | Spring lock washer (M6) | |
| | 32 | SCAA06018 | Hexagon socket head cap screw (M6x18) | |
| | 33 | NHAA08000 | Hexagon nut (M8) | |
| | 34 | WPAD08000 | Plain washer (M8) | |
| | 35 | WSAD08000 | Spring lock washer (M8) | |
| | 36 | NHAD08000 | Hexagon nut (M8) | |
| | 37 | NHAA06000 | Hexagon nut (M6) | |
| | 38 | SHAA06025 | Hexagon head bolt (M6x25) | |
| | 39 | SCAA06020 | Hexagon socket head cap screw (M6x20) | |
| | 40 | SSAA05006 | Hexagon socket set screw (M5x6) | |
| | 41 | SCAA06012 | Hexagon socket head cap screw (M6x12) | |

Y CARRIAGE B

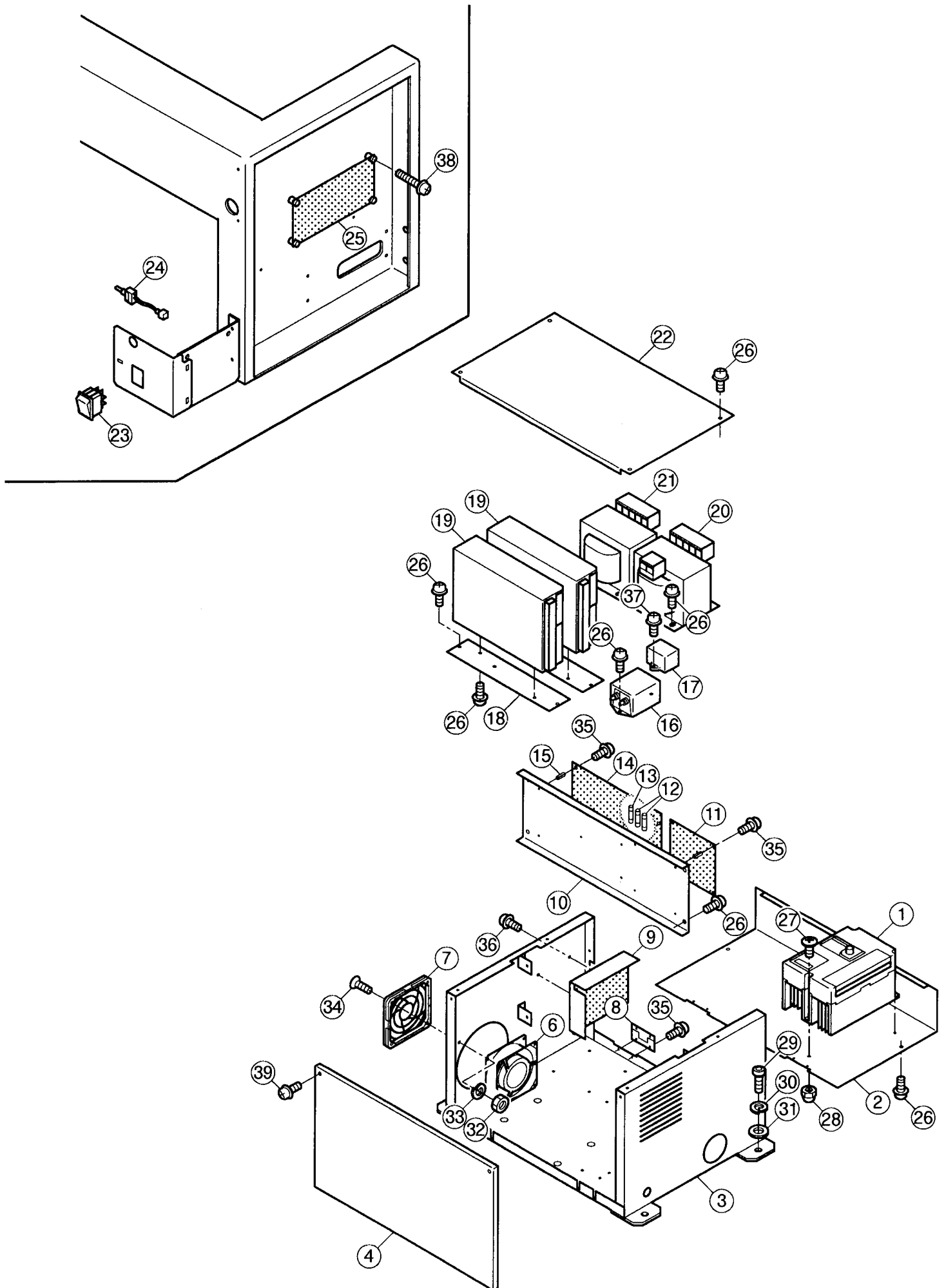
CGB9B01 25a-2



Y CARRIAGE B

25a-2

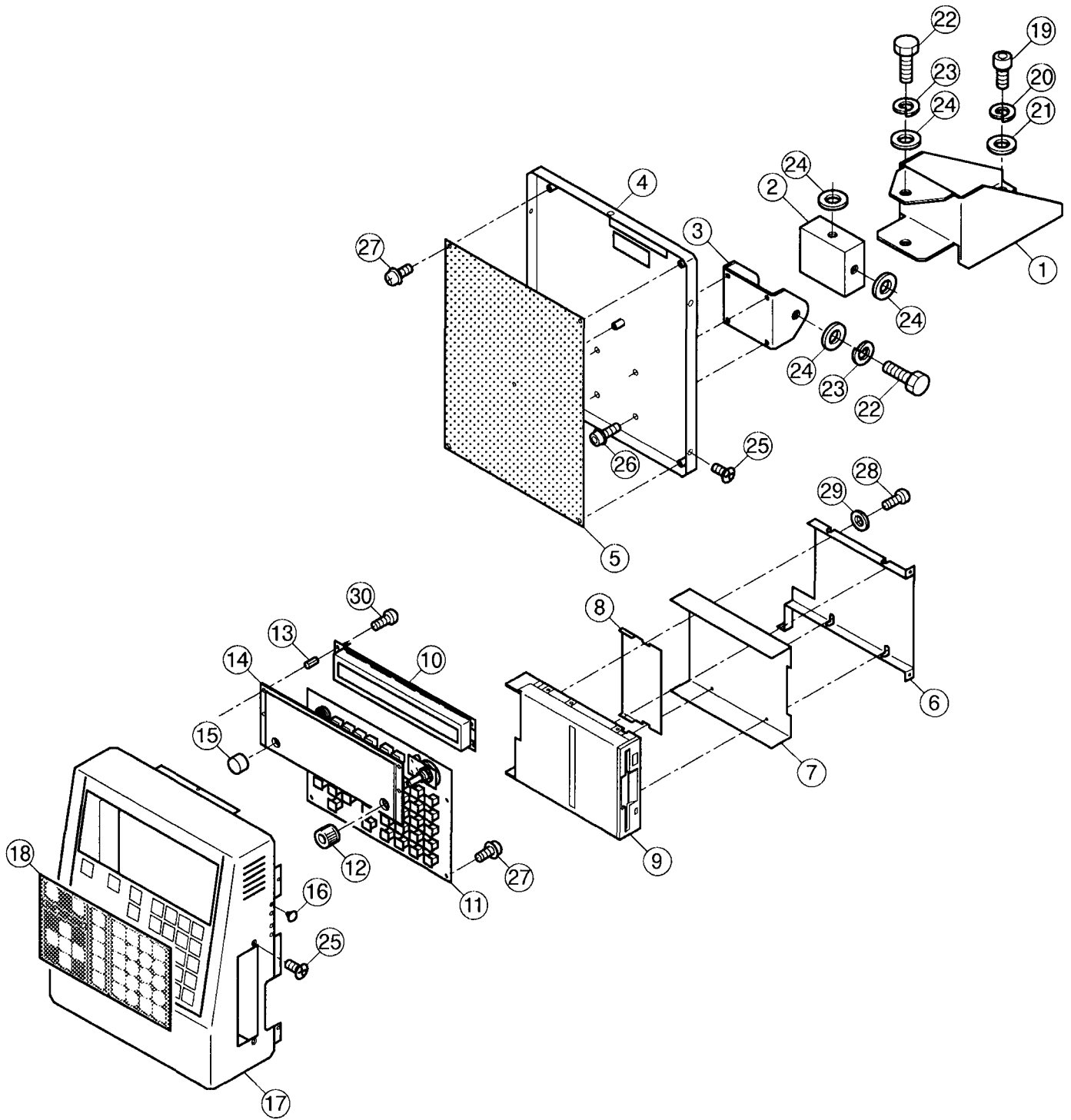
| 組 Ass'y | 指図 El't | 部品番号 PARTS No. | PARTS NAMES | CGB9B01 NOTE / 備考 |
|------------|------------|-------------------|---------------------------------------|----------------------|
| | 42 | SCAA05010 | Hexagon socket head cap screw (M5x10) | |
| | 43 | WSAA05000 | Spring lock washer (M5) | |
| | 44 | WPAA05000 | Plain washer (M5) | |
| | 45 | SCAA05012 | Hexagon socket head cap screw (M5x12) | |
| | 46 | SCAA03008 | Hexagon socket head cap screw (M3x8) | |
| | 47 | SCAA04005 | Hexagon socket head cap screw (M4x5) | |
| | 48 | WSAA04000 | Spring lock washer (M4) | |
| | 49 | WPAA04000 | Plain washer (M4) | |
| | 50 | SCAA05050 | Hexagon socket head cap screw (M5x50) | |
| | 51 | WPAA03000 | Plain washer (M3) | |
| | 52 | WSAA03000 | Spring lock washer (M3) | |
| | 53 | SCAA03015 | Hexagon socket head cap screw (M3x15) | |
| | 54 | SCAD05010 | Hexagon socket head cap screw (M5x10) | |
| | 55 | WSAD05000 | Spring lock washer (M5) | |
| | 56 | WPAD05000 | Plain washer (M5) | |
| | 58 | HCG26440 | Carriage arm | |
| | 59 | HCG26460 | Cover A | |
| | 60 | HCG24031 | LM guide | |
| | 61 | HCG26450 | Stay | |
| | 62 | WPBA05000 | Plain washer (M5) | |
| | 63 | HCG25830 | Washer | |
| | 64 | HCG25820 | Stay Connecting plate | |



MAIN UNIT

26a-1

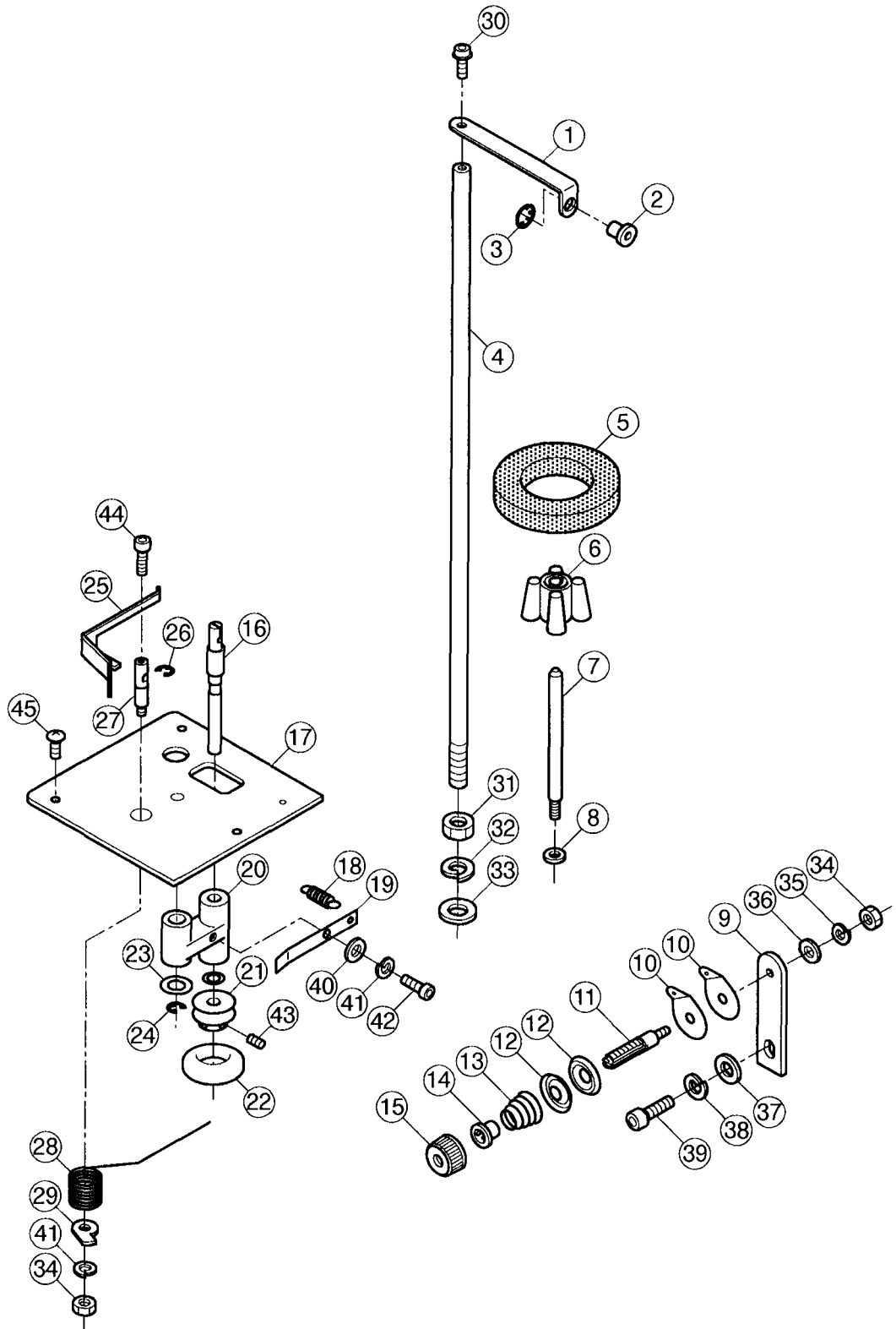
| 組 Ass'y | 指図 El't | 部品番号 PARTS No. | PARTS NAMES | CGB1828 NOTE / 備考 |
|------------|------------|-------------------|--|----------------------|
| | 1 | EPM00430 | Inverter | |
| | 2 | HCG27131 | Rear cover | |
| | 3 | HCG27112 | Main unit box | |
| | 4 | HCG27120 | Front cover | |
| | 6 | EPK00710 | Fan | |
| | 7 | EPK00300 | Filter | |
| | 8 | MPZ00420 | Hinge | |
| | 9 | EPK00770 | Switching power supply | |
| | 10 | HCG27150 | Circuit board mount | |
| | 11 | HCG83092 | Thread catch circuit board ass'y | |
| | 12 | EPF00330 | Fuse (2A) | |
| | 13 | EPF00340 | Fuse (3A) | |
| | 14 | HCG83072 | Power supply circuit board ass'y | |
| | 15 | MPZ00470 | Spacer (BSB-312) | |
| | 16 | EPK00470 | Noise filter | |
| | 17 | EPC00940 | Surge protector | |
| | 18 | HCG27030 | Driver mount | |
| | 19 | EPM00400 | Pulse motor driver | |
| | 20 | EPK00480 | Transformer | |
| | 21 | HCG75100 | Transformer | |
| | 22 | HCG27140 | Top cover | |
| | 23 | EPS00810 | Power switch | |
| | 24 | M0435150 | Brake switch | |
| | 25 | HCG83080 | Connector circuit board ass'y | |
| | 26 | SPDB04008 | Pan head screw (cross recessed, M4x8) | |
| | 27 | SBAB04008 | Binding head screw (M4x8) | |
| | 28 | NDAD04000 | Domed cap nut (M4) | |
| | 29 | SCAD06015 | Hexagon socket head cap screw (M6x15) | |
| | 30 | WSAD06000 | Spring lock washer (M6) | |
| | 31 | WPAD06000 | Plain washer (M6) | |
| | 32 | NHAD04000 | Hexagon nut (M4) | |
| | 33 | WSAD04000 | Spring lock washer (M4) | |
| | 34 | SGAD04020 | Flat head screw (cross recessed head, M4x20) | |
| | 35 | SPDD03006 | Pan head screw (cross recessed, M3x6) | |
| | 36 | SPDD03008 | Pan head screw (cross recessed, M3x8) | |
| | 37 | SPDD04008 | Pan head screw (cross recessed, M4x8) | |
| | 38 | SPDD03015 | Pan head screw (cross recessed, M3x15) | |
| | 39 | SPDB04016 | Pan head screw (cross recessed, M4x16) | |



CONTROL BOX

27a-1

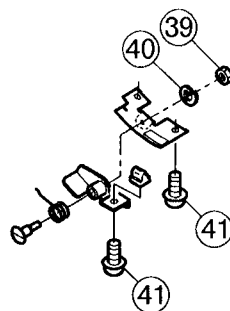
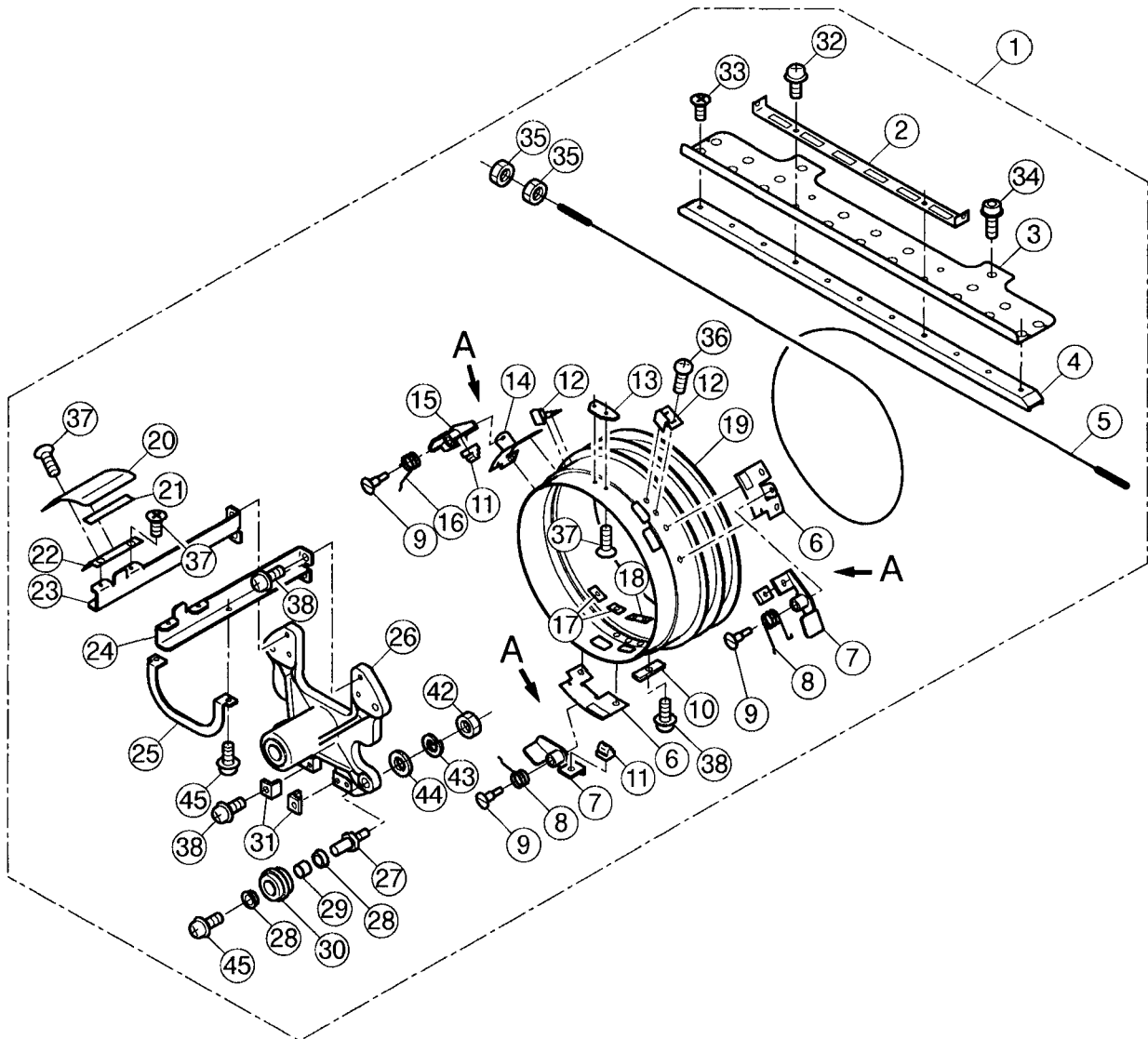
| 組 | 指図 | 部品番号 | | CGB2501 |
|-------|------|-----------|--|-----------|
| Ass'y | El't | PARTS No. | PARTS NAMES | NOTE / 備考 |
| | 1 | HCG29163 | Control box base E | |
| | 2 | HCG29040 | Control box base B | |
| | 3 | HCG29031 | Control box base A | |
| | 4 | HCG29142 | Rear panel | |
| | 5 | HCG83054 | CPU board ass'y | |
| | 6 | HCG29150 | FDD bracket | |
| | 7 | M0429360 | Insulation plate | |
| | 8 | HMF29111 | Insulation plate B | |
| | 9 | EPZ00282 | Disk drive unit (3 mode type) | |
| | 10 | SF429092 | Liquid crystal display | |
| | 11 | HCG83060 | Switch board ass'y | |
| | 12 | EPS00350 | Volume knob | |
| | 13 | MPZ01980 | Spacer (AS-312) | |
| | 14 | HCG29111 | Display panel | |
| | 15 | EPS00640 | Switch top | |
| | 16 | FRA44630 | Cushion | |
| | 17 | HCG29132 | Chassis | |
| | 18 | HCG51031 | Switch sheet C | |
| | 19 | SCAD06015 | Hexagon socket head cap screw (M6x15) | |
| | 20 | WSAD06000 | Spring lock washer (M6) | |
| | 21 | WPAD06000 | Plain washer (M6) | |
| | 22 | SHAD08020 | Hexagon head bolt (M8x20) | |
| | 23 | WSAD08000 | Spring lock washer (M8) | |
| | 24 | WPAD08000 | Plain washer (M8) | |
| | 25 | SGAB03006 | Flat head screw (cross recessed head, M3x6) | |
| | 26 | SCBD04006 | Hexagon socket head cap screw with flange (M4x6) | |
| | 27 | SPDD03006 | Pan head screw (cross recessed, M3x6) | |
| | 28 | SPAH03004 | Pan head screw (cross recessed, M3x4) | |
| | 29 | WPBD03000 | Plain washer (M3) | |
| | 30 | SPAD03006 | Pan head screw (cross recessed, M3x6) | |



BOBBIN WINDER

28a-1

| 組 Ass'y | 指図 El't | 部品番号 PARTS No. | PARTS NAMES | CGB0004 NOTE / 備考 |
|------------|------------|-------------------|--|----------------------|
| | 1 | HCG60140 | Thread guide plate | |
| | 2 | M0445080 | Eyelet | |
| | 3 | MPR00110 | SE-ring (SE-7) | |
| | 4 | HCG60130 | Thread guide pillar | |
| | 5 | HMF20571 | Thread stand felt (80) | |
| | 6 | MPZ00340 | Plastic spring | |
| | 7 | M0420032 | Thread stand pin | |
| | 8 | M0420890 | Washer | |
| | 9 | HCG60121 | Thread guide unit stay | |
| | 10 | MPZ00200 | Thread guide plate | |
| | 11 | M0418211 | Tension shaft | |
| | 12 | MPZ00221 | Disc | |
| | 13 | MPZ02220 | Spring | |
| | 14 | MPZ00280 | Spring guide | |
| | 15 | MPZ00960 | Tension nut | |
| | 16 | HCG60032 | Shaft | |
| | 17 | HCG60012 | Base | |
| | 18 | HCG60060 | Tension coil spring | |
| | 19 | HCG60052 | Leaf spring | |
| | 20 | HCG60020 | Lever | |
| | 21 | HCG60040 | Trailing wheel | |
| | 22 | MPZ01910 | Rubber ring | |
| | 23 | MPB00120 | Plastic thrust washer (TW0815) | |
| | 24 | MPR00470 | E-ring (E-6) | |
| | 25 | HCG60090 | Guide | |
| | 26 | MPR00080 | E-ring (E-5) | |
| | 27 | HCG60071 | Lever shaft | |
| | 28 | HCG60080 | Torsion coil spring | |
| | 29 | HCG60153 | Lever | |
| | 30 | SCBD04008 | Hexagon socket head cap screw with flange (M4x8) | |
| | 31 | NHAD08000 | Hexagon nut (M8) | |
| | 32 | WSAD08000 | Spring lock washer (M8) | |
| | 33 | WPAD08000 | Plain washer (M8) | |
| | 34 | NHAD04000 | Hexagon nut (M4) | |
| | 35 | WSAD04000 | Spring lock washer (M4) | |
| | 36 | WPAD04000 | Plain washer (M4) | |
| | 37 | WPAA05000 | Plain washer (M5) | |
| | 38 | WSAA05000 | Spring lock washer (M5) | |
| | 39 | SCAA05010 | Hexagon socket head cap screw (M5x10) | |
| | 40 | WPAA04000 | Plain washer (M4) | |
| | 41 | WSAA04000 | Spring lock washer (M4) | |
| | 42 | SCAA04008 | Hexagon socket head cap screw (M4x8) | |
| | 43 | SSAA03004 | Hexagon socket set screw (M3x4) | |
| | 44 | SCAD03012 | Hexagon socket head cap screw (M3x12) | |
| | 45 | STAB04006 | Truss head screw (cross recessed, M4x6) | |



A

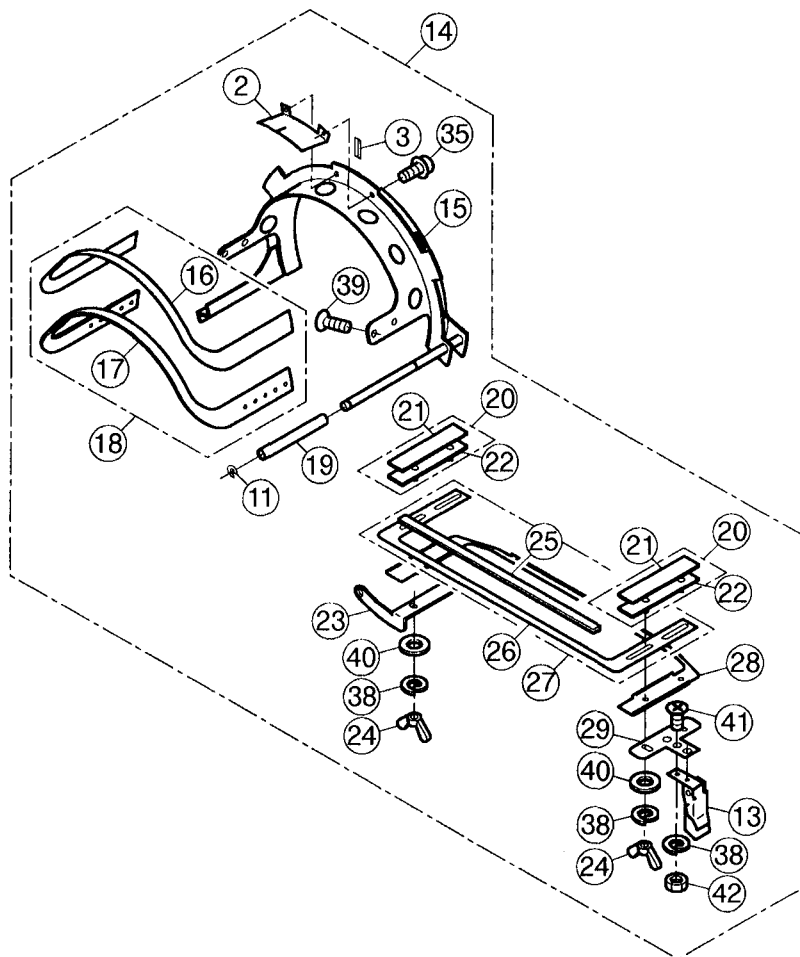
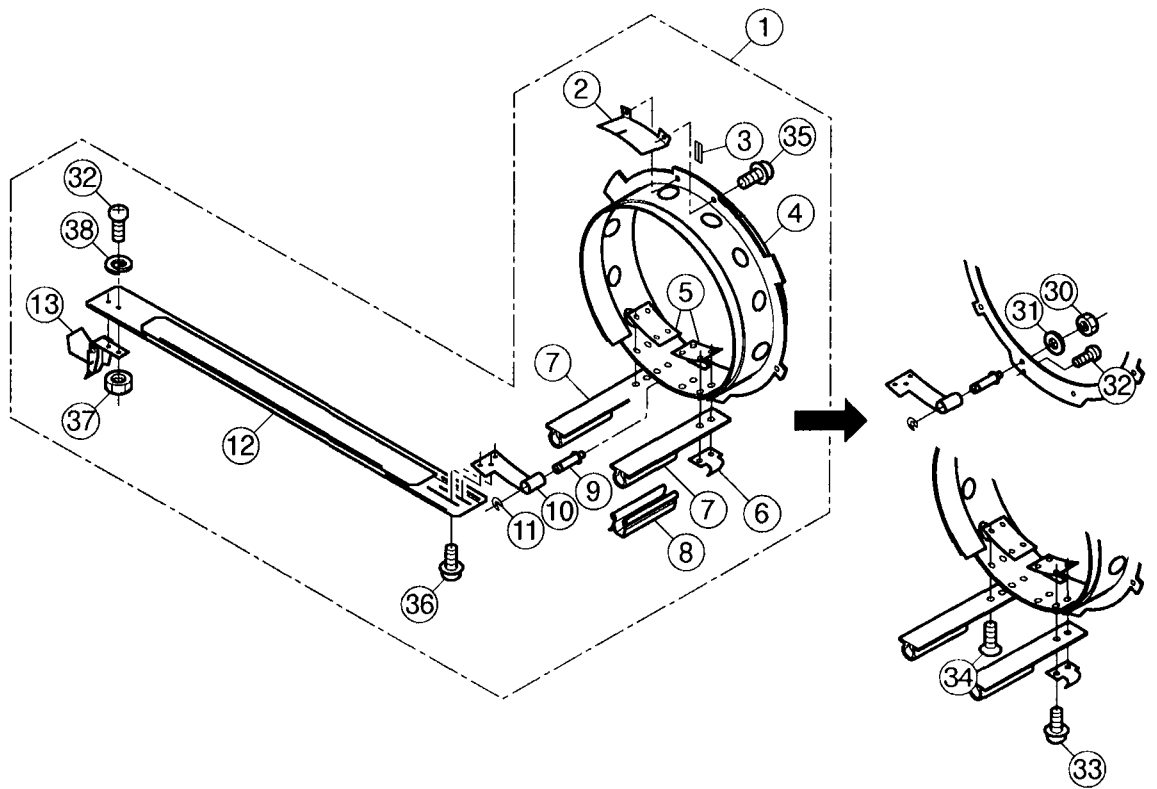
CAP FRAME (DRIVE FRAME)

29a-1

| 組 Ass'y | 指図 El't | 部品番号 PARTS No. | PARTS NAMES | CGB8A18 NOTE / 備考 |
|------------|------------|-------------------|---|----------------------|
| | 1 | FRA43501 | Drive frame ass'y A (red) | |
| | 1 | FRA43881 | Drive frame ass'y B (blue) | |
| | 2 | FRA43790 | Wire fixing plate | |
| | 3 | FRA43830 | Rail bracket | |
| | 4 | FRA43820 | Rail | |
| | 5 | FRA43780 | Wire | |
| | 6 | FRA43590 | Lever bracket (right) | |
| | 7 | FRA43560 | Hold lever ass'y (right) | |
| | 8 | FRA43620 | Torsion coil spring (right) | |
| | 9 | FRA43610 | Support pin | |
| | 10 | FRA43800 | Wire keeper | |
| | 11 | FRA43601 | Lock pin | |
| | 12 | FRA43550 | Spring | |
| | 13 | FRA43540 | Center guide | |
| | 14 | FRA43650 | Lever bracket (left) | |
| | 15 | FRA43630 | Hold lever ass'y (left) | |
| | 16 | FRA43660 | Torsion coil spring (left) | |
| | 17 | FRA43670 | Plate nut (M4) | |
| | 18 | FRA43680 | Plate nut (M3) | |
| | 19 | FRA43841 | rotary cylinder | |
| | 20 | FRA43700 | Guide | |
| | 21 | FRA43740 | Protect sheet | |
| | 22 | FRA43730 | Guide bracket | |
| | 23 | FRA43721 | Guide support (left) | |
| | 24 | FRA43711 | Guide support (right) | |
| | 25 | FRA43690 | Reinforcement plate | |
| | 26 | FRA43971 | Base ass'y | |
| | 27 | FRA43530 | Guide roller pin | |
| | 28 | FRA43520 | Bearing | |
| | 29 | FRA43750 | Guide roller spacer | |
| | 30 | FRA43510 | Guide roller | |
| | 31 | FRA43810 | Stopper | |
| | 32 | SPDD04012 | Pan head screw (cross recessed, M4x12) | |
| | 33 | SGAD04008 | Flat head screw (cross recessed head, M4x8) | |
| | 34 | SCAD04008 | Hexagon socket head cap screw (M4x8) | |
| | 35 | NHAD03000 | Hexagon nut (M3) | |
| | 36 | SPAD03005 | Pan head screw (cross recessed, M3x5) | |
| | 37 | SGAD03004 | Flat head screw (cross recessed head, M3x4) | |
| | 38 | SPDD04010 | Pan head screw (cross recessed, M4x10) | |
| | 39 | NHCD04000 | Hexagon nut (M4) | |
| | 40 | WSAD04000 | Spring lock washer (M4) | |
| | 41 | SPDD04008 | Pan head screw (cross recessed, M4x8) | |
| | 42 | NHAD05000 | Hexagon nut (M5) | |
| | 43 | WSAD05000 | Spring lock washer (M5) | |
| | 44 | WPAD05000 | Plain washer (M5) | |
| | 45 | SPDD04006 | Pan head screw (cross recessed, M4x6) | |

CAP FRAME (HOLD FRAME)

CGB8A18 29b-1



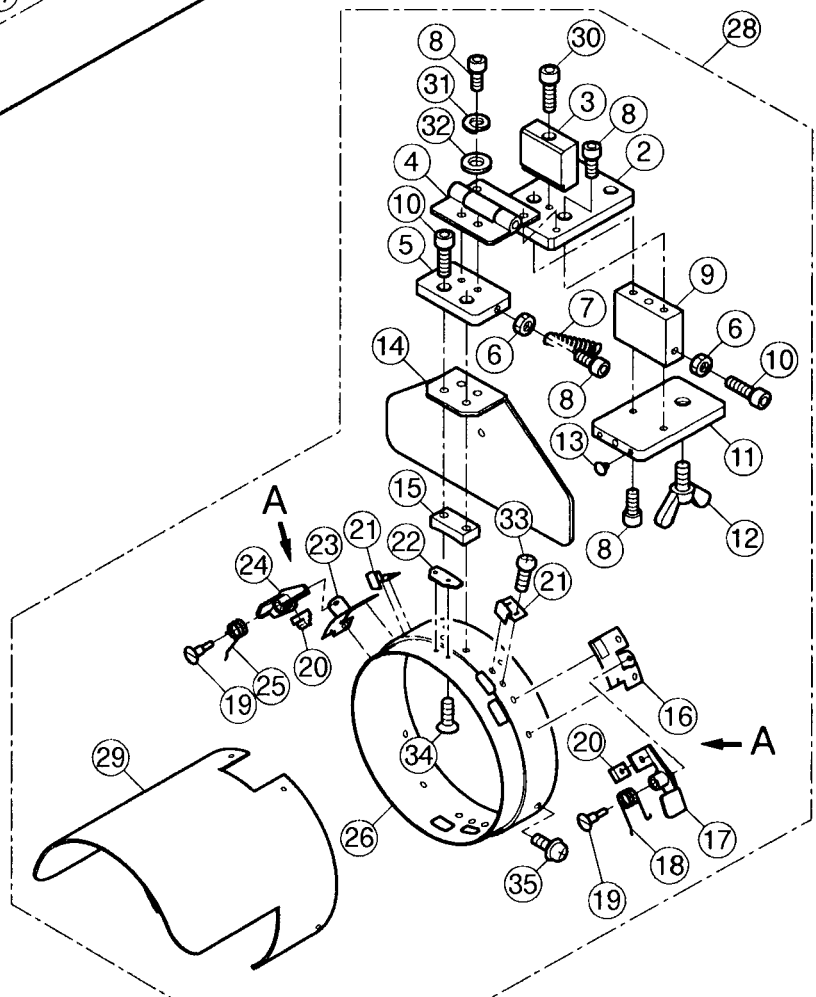
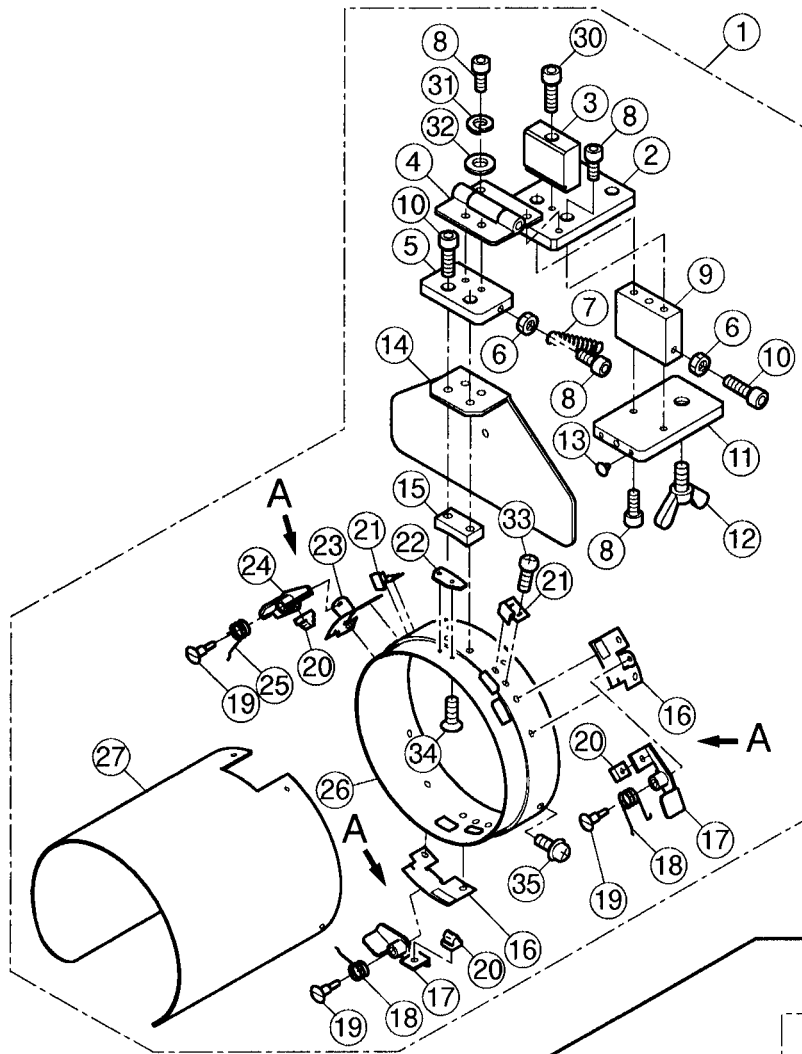
CAP FRAME (HOLD FRAME)

29b-1

| 組 Ass'y | 指図 El't | 部品番号 PARTS No. | PARTS NAMES | CGB1131 NOTE / 備考 |
|------------|------------|-------------------|---|----------------------|
| | 1 | FRA44001 | Cap hold frame ass'y (wide type) | |
| | 2 | FRA44210 | Positioning plate | |
| | 3 | FRA44180 | Cap marker | |
| | 4 | FRA44101 | Cap hold frame (wide type) | |
| | 5 | FRA44050 | Cap holder bracket | |
| | 6 | FRA44031 | Hook | |
| | 7 | FRA44201 | Cap holder A | |
| | 8 | FRA44090 | Clip | |
| | 9 | FRA44012 | Guide pin | |
| | 10 | FRA44022 | Grip bracket | |
| | 11 | FRA44170 | E-ring | |
| | 12 | FRA44041 | Cap grip | |
| | 13 | FRA44160 | Latch | |
| | 14 | FRA46011 | Cap hold frame ass'y (semi wide type) | |
| | 15 | FRA46025 | Cap hold frame (semi wide type) | |
| | 16 | FRA46221 | Clamp support cushion | |
| | 17 | FRA46121 | Clamp support | |
| | 18 | FRA46111 | Clamp support ass'y | |
| | 19 | FRA46141 | Spacer | |
| | 20 | FRA46171 | Side holder ass'y | |
| | 21 | FRA46231 | Side holder cushion | |
| | 22 | FRA46181 | Side holder | |
| | 23 | FRA46082 | Bracket | |
| | 24 | NWBB03000 | Wing nut (M3) | |
| | 25 | FRA46241 | Clamp cushion | |
| | 26 | FRA46201 | Clamp A | |
| | 27 | FRA46191 | Clamp A ass'y | |
| | 28 | FRA46211 | Clamp B | |
| | 29 | FRA46151 | Latch bracket | |
| | 30 | NHAD04000 | Hexagon nut (M4) | |
| | 31 | WPAD04000 | Plain washer (M4) | |
| | 32 | SPAD03005 | Pan head screw (cross recessed, M3x5) | |
| | 33 | SPDD04012 | Pan head screw (cross recessed, M4x12) | |
| | 34 | SGAD04008 | Flat head screw (cross recessed head, M4x8) | |
| | 35 | SPDD03005 | Pan head screw (cross recessed, M3x5) | |
| | 36 | SPDD03004 | Pan head screw (cross recessed, M3x4) | |
| | 37 | NHAD03000 | Hexagon nut (M3) | |
| | 38 | WSAD03000 | Spring lock washer (M3) | |
| | 39 | SGAD03004 | Flat head screw (cross recessed head, M3x4) | |
| | 40 | WPAD03000 | Plain washer (M3) | |
| | 41 | SGAD03006 | Flat head screw (cross recessed head, M3x6) | |
| | 42 | NHCD03000 | Hexagon nut (M3) | |

CAP FRAME (CAP STRETCHER)

CGB8A18 29c-1



CAP FRAME (CAP STRETCHER)

29c-1

| 組 Ass'y | 指図 El't | 部品番号 PARTS No. | PARTS NAMES | CGB8A18 NOTE / 備考 |
|------------|------------|-------------------|---|----------------------|
| | 1 | FRA44501 | Cap stretcher (for wide type) | |
| | 2 | FRA44600 | Base E | |
| | 3 | FRA44610 | Stopper A | |
| | 4 | FRA44580 | Hinge | |
| | 5 | FRA44590 | Base D | |
| | 6 | NHAD05000 | Hexagon nut (M5) | |
| | 7 | FRA44620 | Tension coil spring | |
| | 8 | SCAD05012 | Hexagon socket head cap screw (M5x12) | |
| | 9 | FRA44561 | Base B | |
| | 10 | SCAD05020 | Hexagon socket head cap screw (M5x20) | |
| | 11 | FRA44571 | Base C | |
| | 12 | SWAB10020 | Wing bolt (M10x20) | |
| | 13 | FRA44630 | Cushion | |
| | 14 | FRA44531 | Back plate | |
| | 15 | FRA44540 | R block | |
| | 16 | FRA43590 | Lever bracket (right) | |
| | 17 | FRA43560 | Hold lever ass'y (right) | |
| | 18 | FRA43620 | Torsion coil spring (right) | |
| | 19 | FRA43610 | Support pin | |
| | 20 | FRA43601 | Lock pin | |
| | 21 | FRA43550 | Spring | |
| | 22 | FRA43540 | Center guide | |
| | 23 | FRA43650 | Lever bracket (left) | |
| | 24 | FRA43630 | Hold lever ass'y (left) | |
| | 25 | FRA43660 | Torsion coil spring (left) | |
| | 26 | FRA44510 | Cylinder | |
| | 27 | FRA44521 | Stretch plate (for wide type) | |
| | 28 | FRA46310 | Cap stretcher (for semi wide type) | |
| | 29 | FRA46300 | Stretch plate (for semi wide type) | |
| | 30 | SCAD05035 | Hexagon socket head cap screw (M5x35) | |
| | 31 | WSAD05000 | Spring lock washer (M5) | |
| | 32 | WPAD05000 | Plain washer (M5) | |
| | 33 | SPAD03005 | Pan head screw (cross recessed, M3x5) | |
| | 34 | SGAD03005 | Flat head screw (cross recessed head, M3x5) | |
| | 35 | SPDD04010 | Pan head screw (cross recessed, M4x10) | |
| | 36 | NHCD04000 | Hexagon nut (M4) | |
| | 37 | WSAD04000 | Spring lock washer (M4) | |
| | 38 | SPDD04008 | Pan head screw (cross recessed, M4x8) | |



HAPPY

HAPPY Industrial Corporation

HEAD OFFICE 5-9-16, Miyamachi, Yamagata-city 990-0057, Japan
Phone: 023-623-7111 FAX: 023-623-2654

TOKYO OFFICE 2-9-5, Taito, Taito-Ku, Tokyo 110-0016, Japan
Phone: 03-3834-0711 Telex: 265-5482
FAX: 03-3835-8917 Cable: HAPPYSEW TOKYO

HAPPY INDUSTRIAL GmbH Am Kummerling, 10-12
6501 Bodenheim am Rhein
Germany
Phone: 06135-8101 FAX. 0211-161630

Model

Machine No.